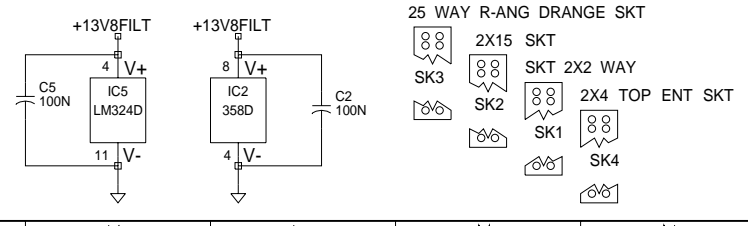


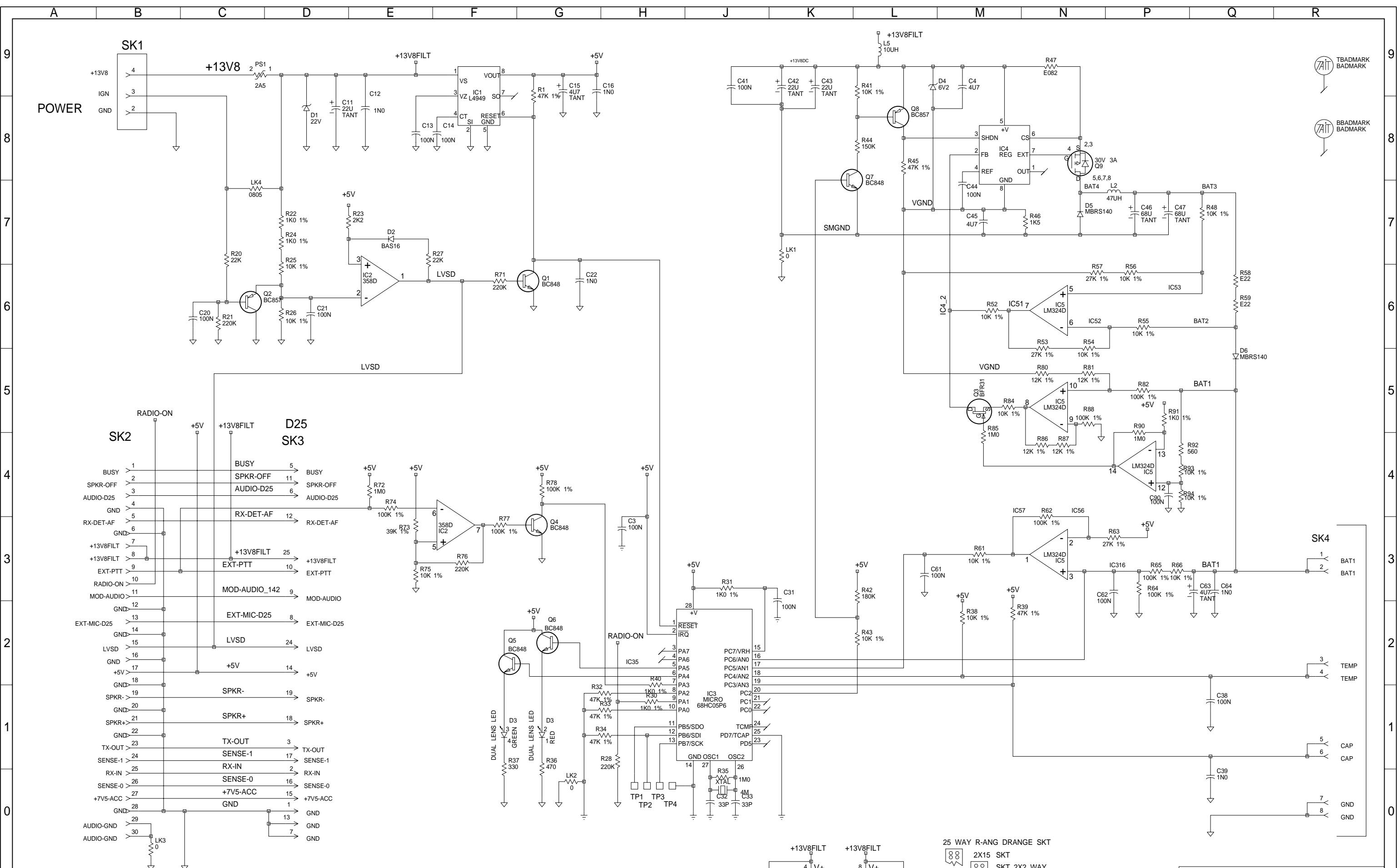
07A	USE LM358:B + 8 COMPONENTS	TONY.S				
REV/ISS	AMENDMENTS	DRAWN	CHKD	D.O.	APVD	DATE



- 25 WAY R-ANG DRANGE SKT
- 2X15 SKT
- SK3 SKT 2X2 WAY
- SK2 SKT 2X4 TOP ENT SKT
- SK1
- SK4

© TAIT ELECTRONICS
 TAIT ORCA SERIES
 CAR KIT CHARGER PCB

IPN: 220-01504-07	ISSUE: A	ID: 2.SC. 1
PROJECT: ORCA	DESIGNER: TONY.S	FILE DATE: 15-04-07A
		NO.SHEETS: 18-06-99



08A	FIX BREAK SMGND BCU ECN50-0319	TONY.S			12-07-99
07A	USE LM358:B + 8 COMPONENTS	TONY.S			
REV/ISS	AMENDMENTS	DRAWN	CHKD	D.O.	APVD DATE

25 WAY R-ANG DRANGE SKT
 2X15 SKT
 SK3 SKT 2X2 WAY
 SK2 SK1 2X4 TOP ENT SKT
 SK4

+13V8FILT
 C5 100N
 IC5 LM324D
 4 V+
 11 V-

+13V8FILT
 C2 100N
 IC2 358D
 8 V+
 4 V-

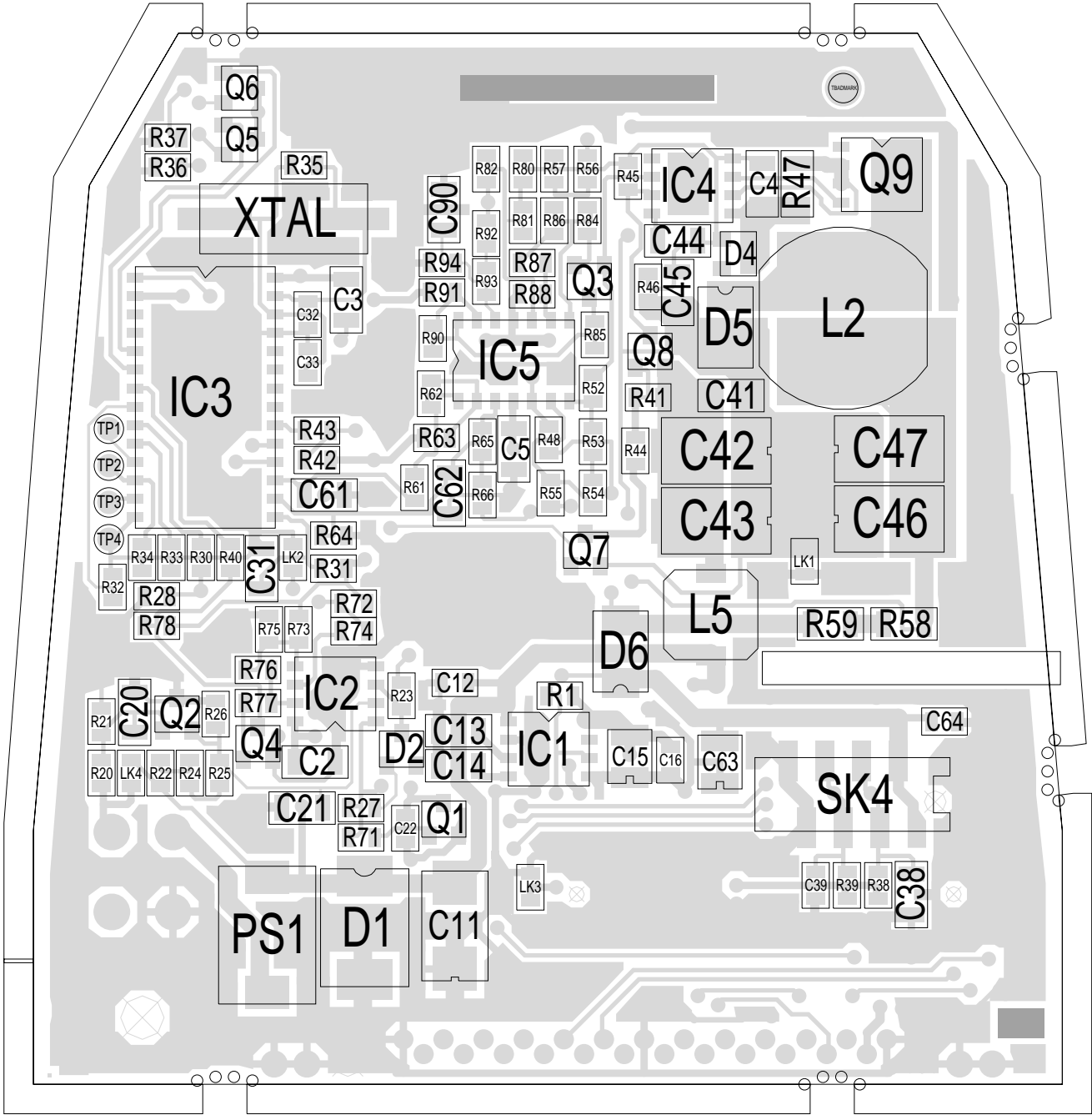
© TAIT ELECTRONICS
 TAIT ORCA SERIES
 CAR KIT CHARGER PCB

IPN: 220-01504-08
 ISSUE: A
 ID: 2.SC. 1

PROJECT: ORCA
 DESIGNER: TONY.S
 FILE NAME: 150408A
 FILE DATE: 12-07-99
 NO.SHEETS: 1

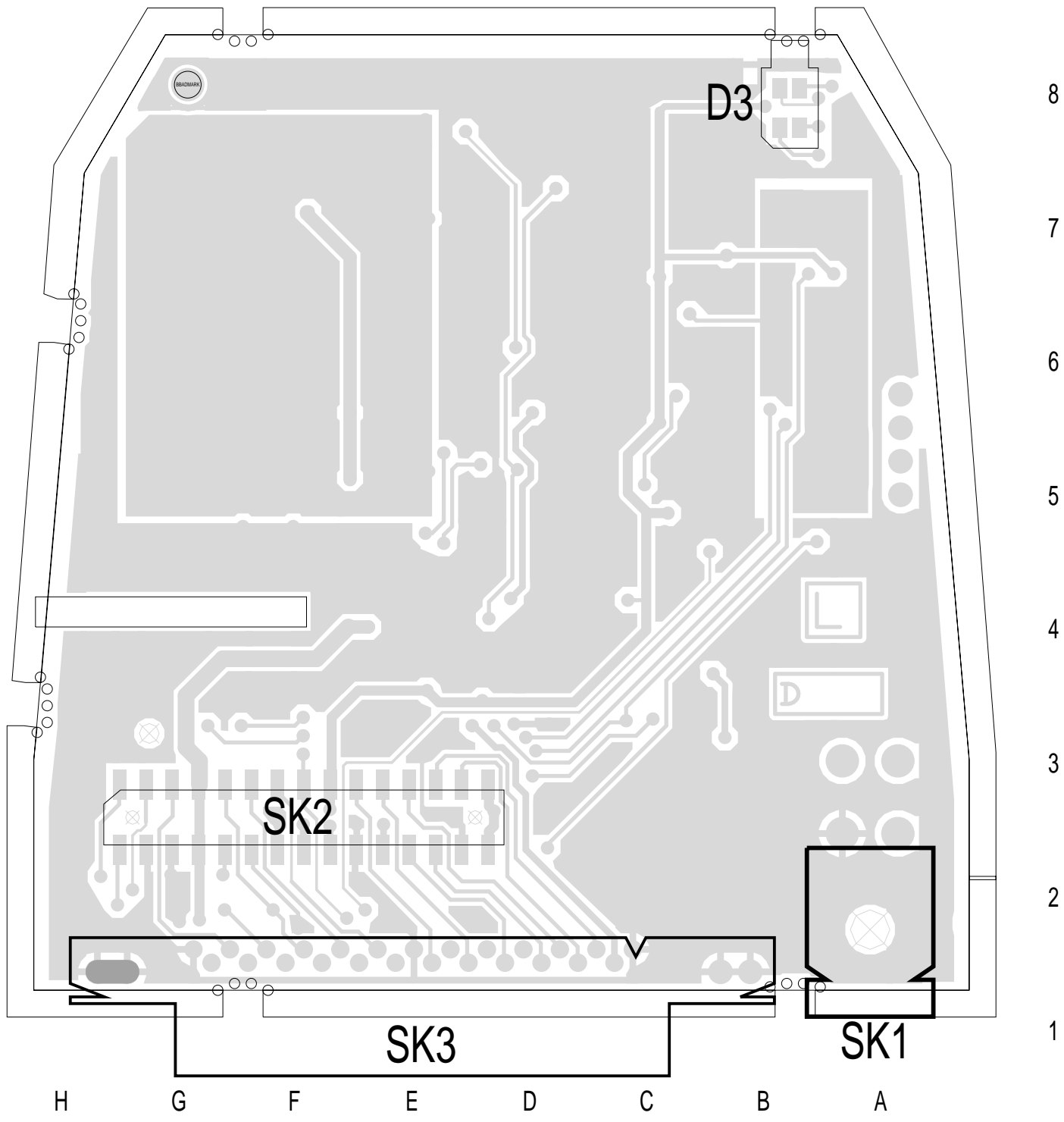
8
7
6
5
4
3
2
1

A B C D E F G H



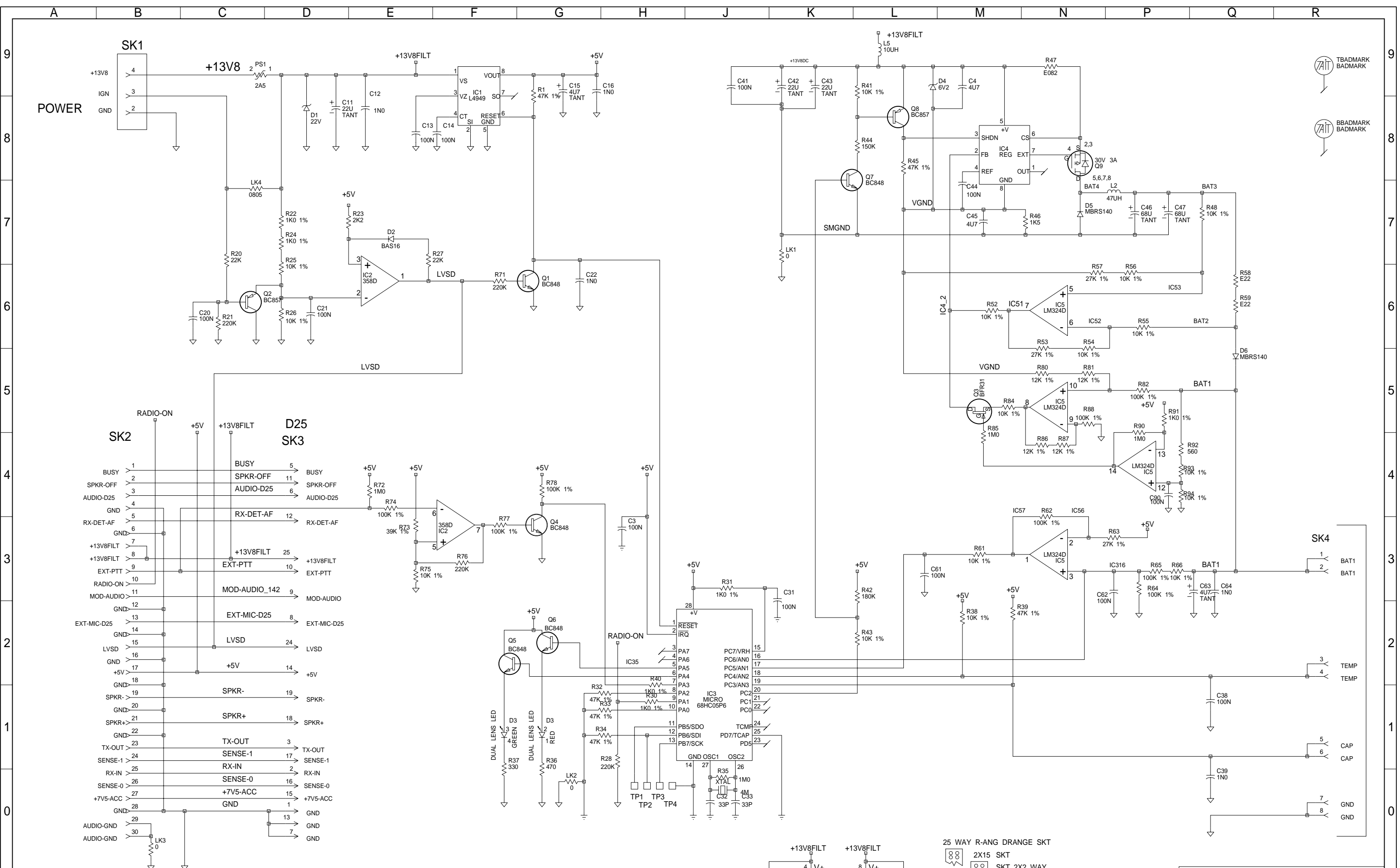
TAIT ELECTRONICS	IPN:	ISS:	ID:	DATE:
	220-01504-08	07	1.TA	12 Jul 1999
TOVK CHARGER PCB LAYOUT - TOP SIDE				

Scale:2.3:1 ; Rotation: 0 degrees

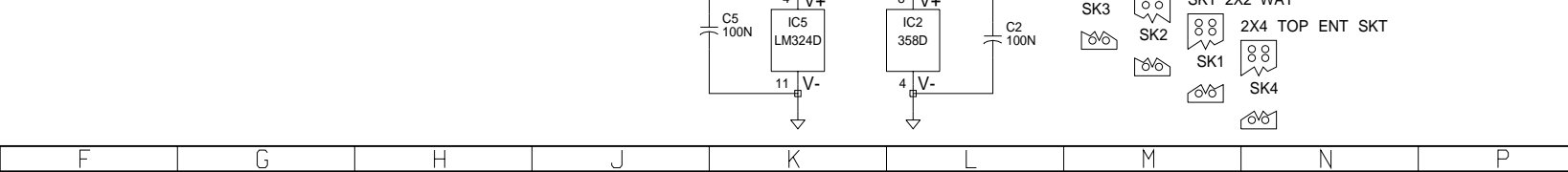


TAIT ELECTRONICS	IPN:	ISS:	ID:	DATE:
	220-01504-08	07	2.BA	12 Jul 1999
TOVK CHARGER PCB LAYOUT - BOTTOM SIDE				

Scale:2.3:1 ; Rotation: 0 degrees



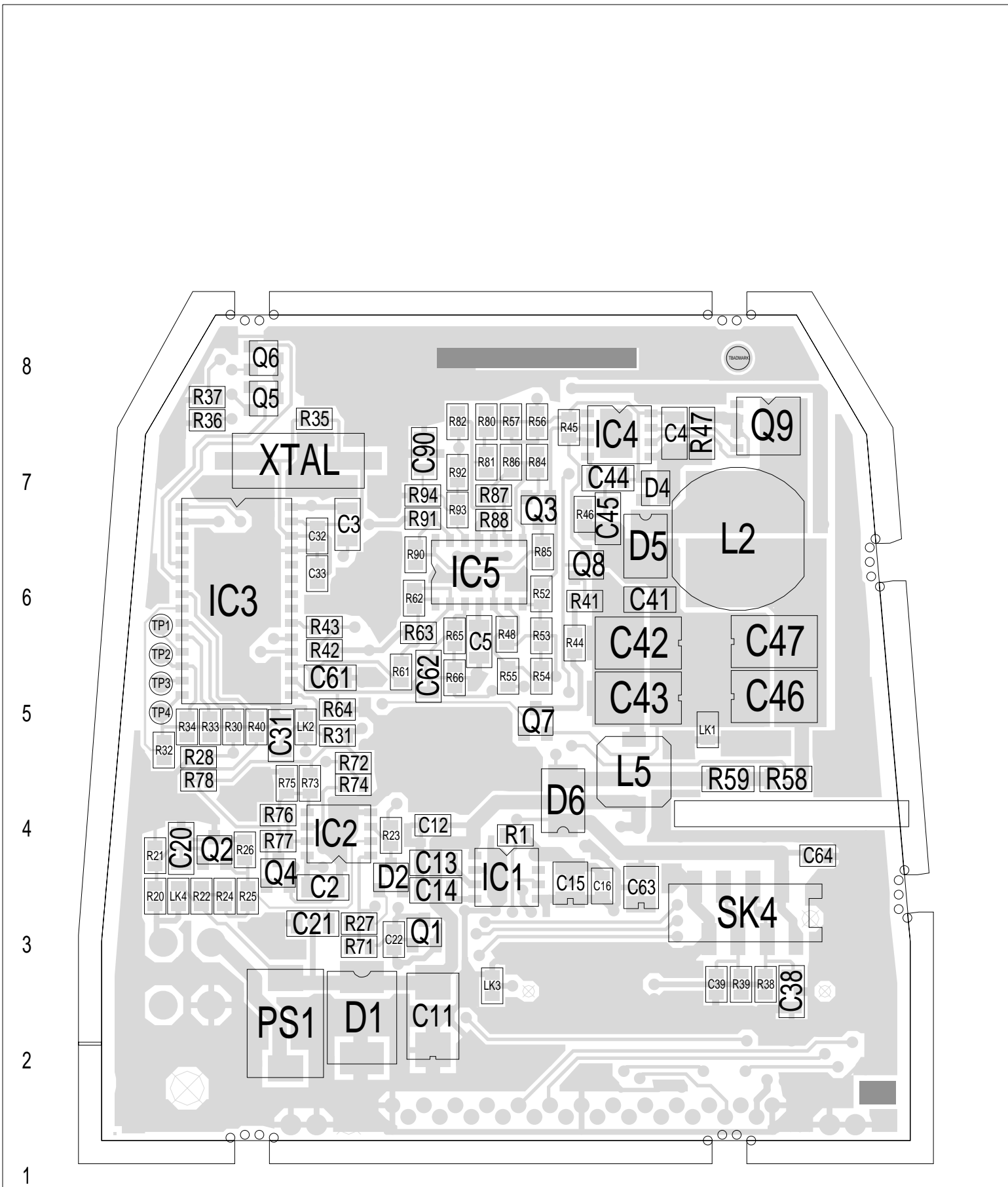
08A	FIX BREAK SMGND BCU ECN50-0319	TONY.S			12-07-99
07A	USE LM358:B + 8 COMPONENTS	TONY.S			
REV/ISS	AMENDMENTS	DRAWN	CHKD	D.O.	APVD DATE



© TAIT ELECTRONICS
 TAIT ORCA SERIES
 CAR KIT CHARGER PCB

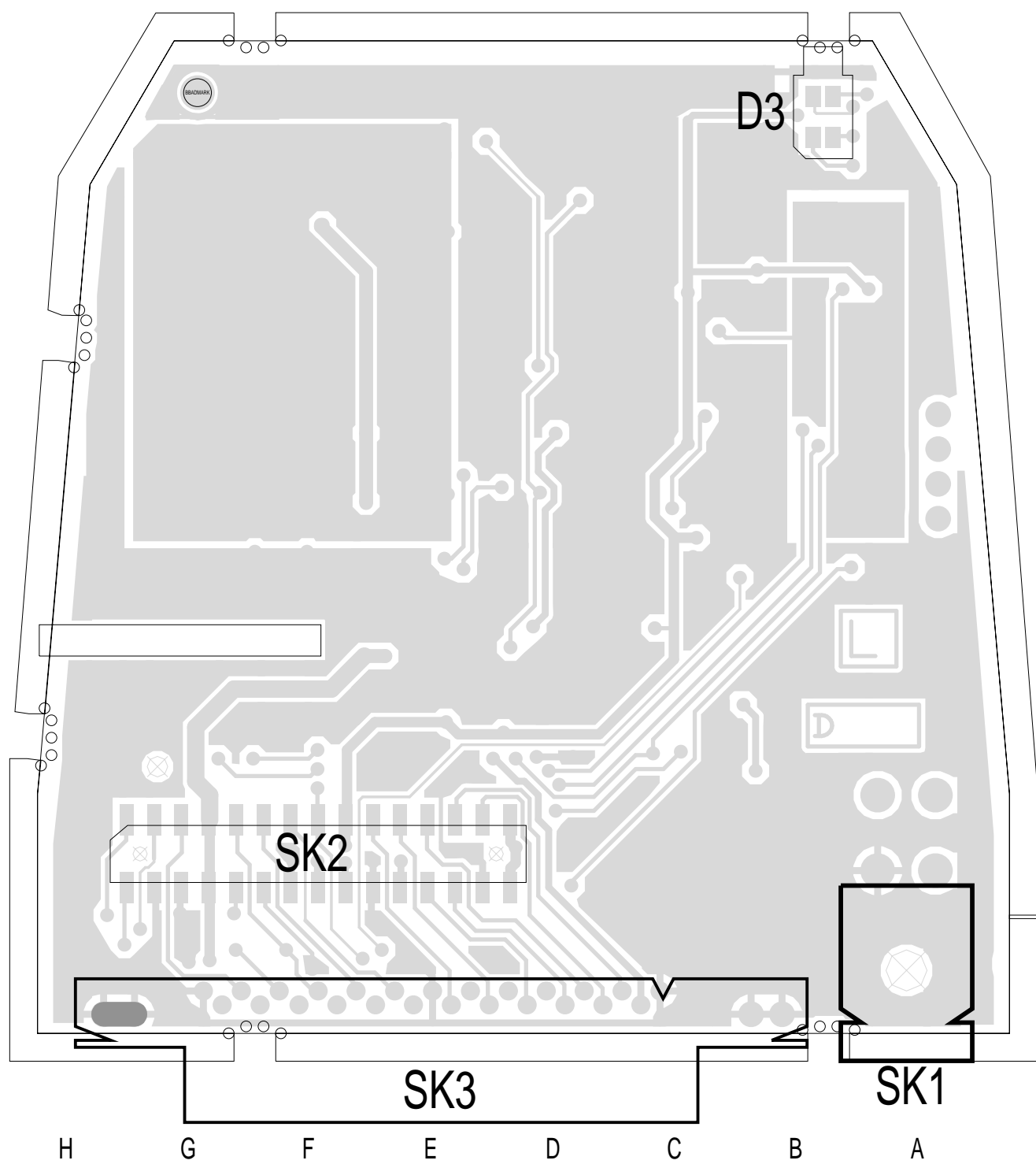
IPN: 220-01504-08
 ISSUE: A
 ID: 2.SC. 1

PROJECT: ORCA
 DESIGNER: TONY.S
 FILE NAME: 150408A
 FILE DATE: 12-07-99
 NO.SHEETS: 1



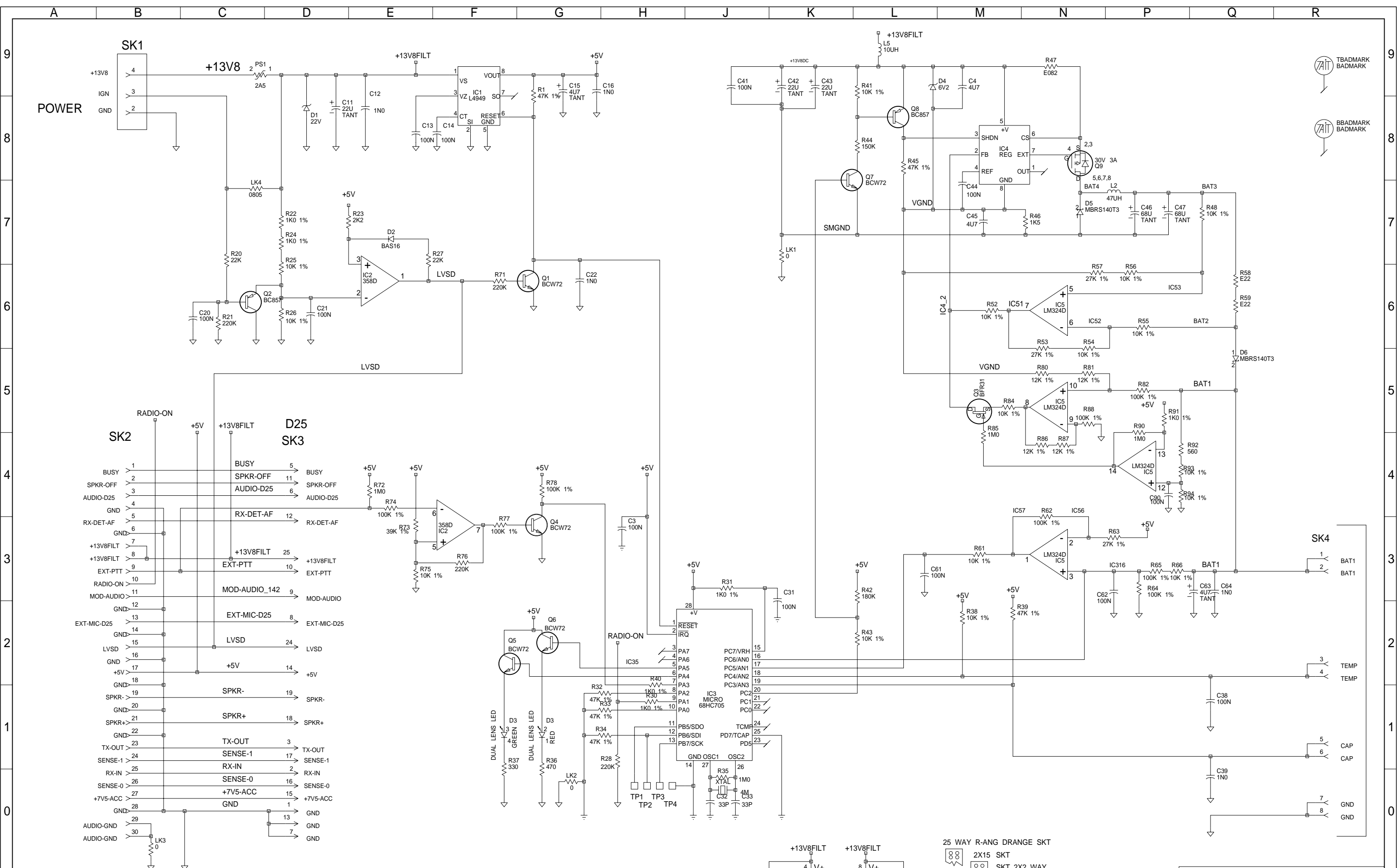
TAIT ELECTRONICS	IPN:	ISS:	ID:	DATE:
	220-01504-08	07	1.TA	12 Jul 1999
TOVK CHARGER PCB LAYOUT - TOP SIDE				

Scale: 2.3:1 ; Rotation: 0 degrees

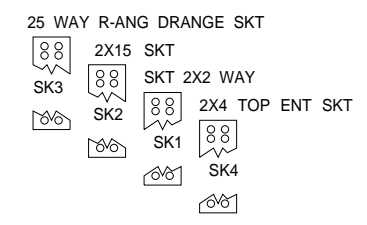


TAIT ELECTRONICS	IPN:	ISS:	ID:	DATE:
	220-01504-08	07	2.BA	12 Jul 1999
TOVK CHARGER PCB LAYOUT - BOTTOM SIDE				

Scale: 2.3:1 ; Rotation: 0 degrees

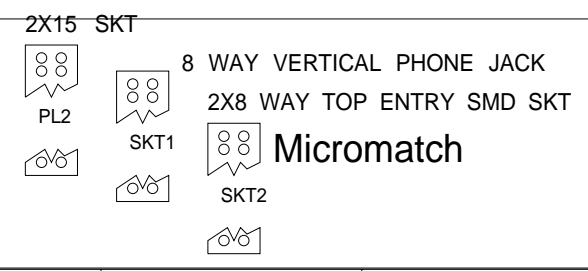
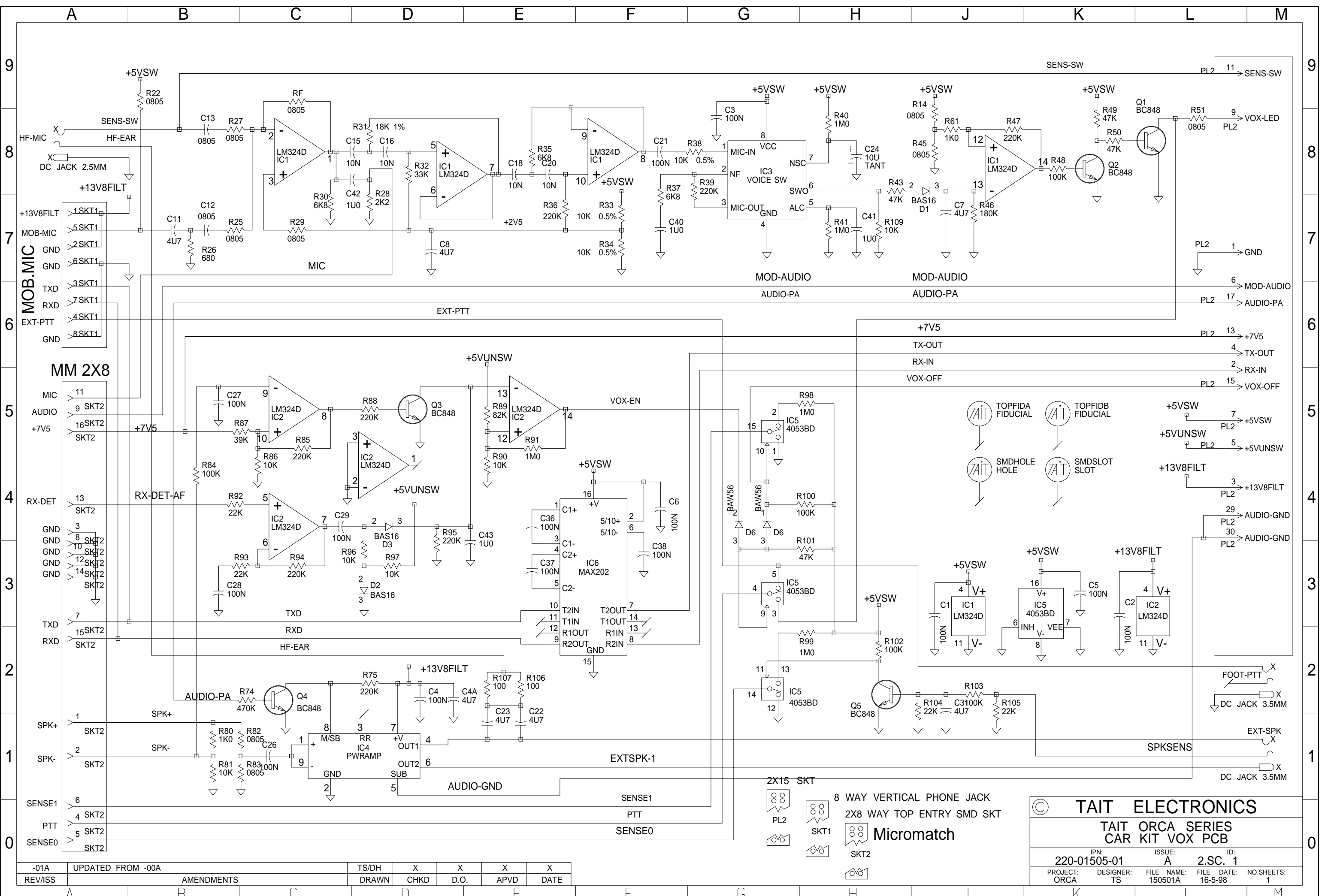


09A	ECO NO. 500645 LED LINES	BRD			03-03-00
	FIX BREAK SMGND BCU ECN50-0319	TONY.S			12-07-99
	USE LM358:B + 8 COMPONENTS	TONY.S			
REV/ISS	AMENDMENTS	DRAWN	CHKD	D.O.	APVD DATE



© TAIT ELECTRONICS
 TAIT ORCA SERIES
 CAR KIT CHARGER PCB

IPN:	A	ISSUE:	2.SC. 1
PROJECT:	220-01504-09	DESIGNER:	ORCA
FILE NAME:	BRD	FILE DATE:	150409a 3-Mar-00
NO.SHEETS:			1

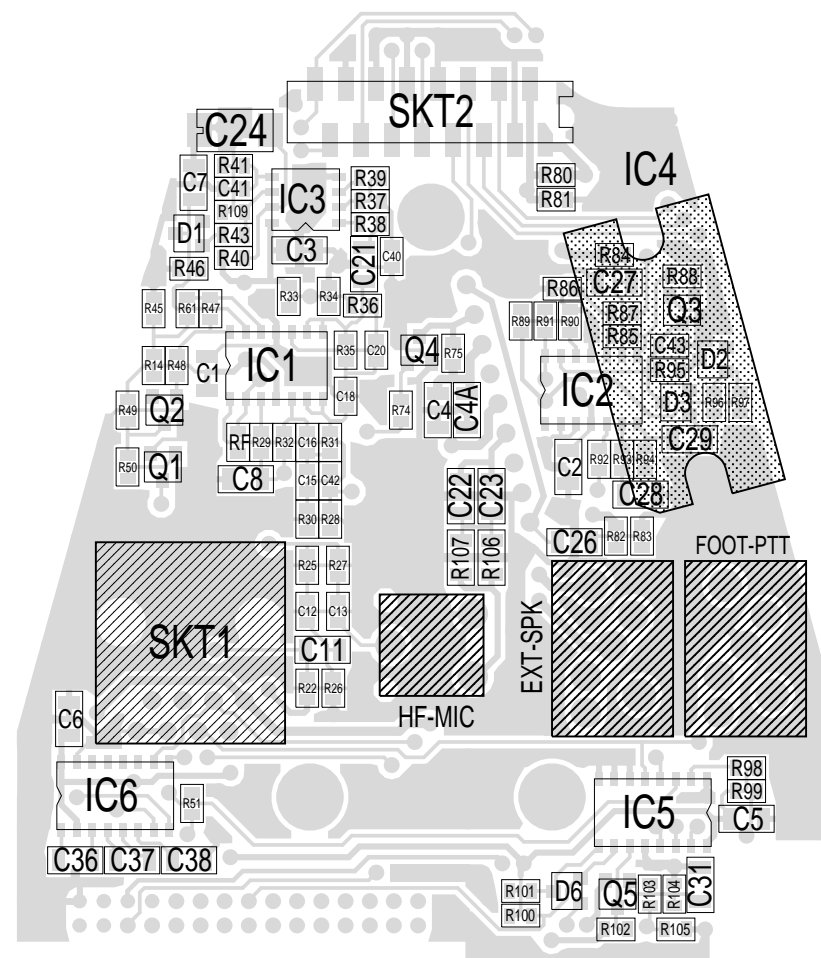


© TAIT ELECTRONICS
 TAIT ORCA SERIES
 CAR KIT VOX PCB

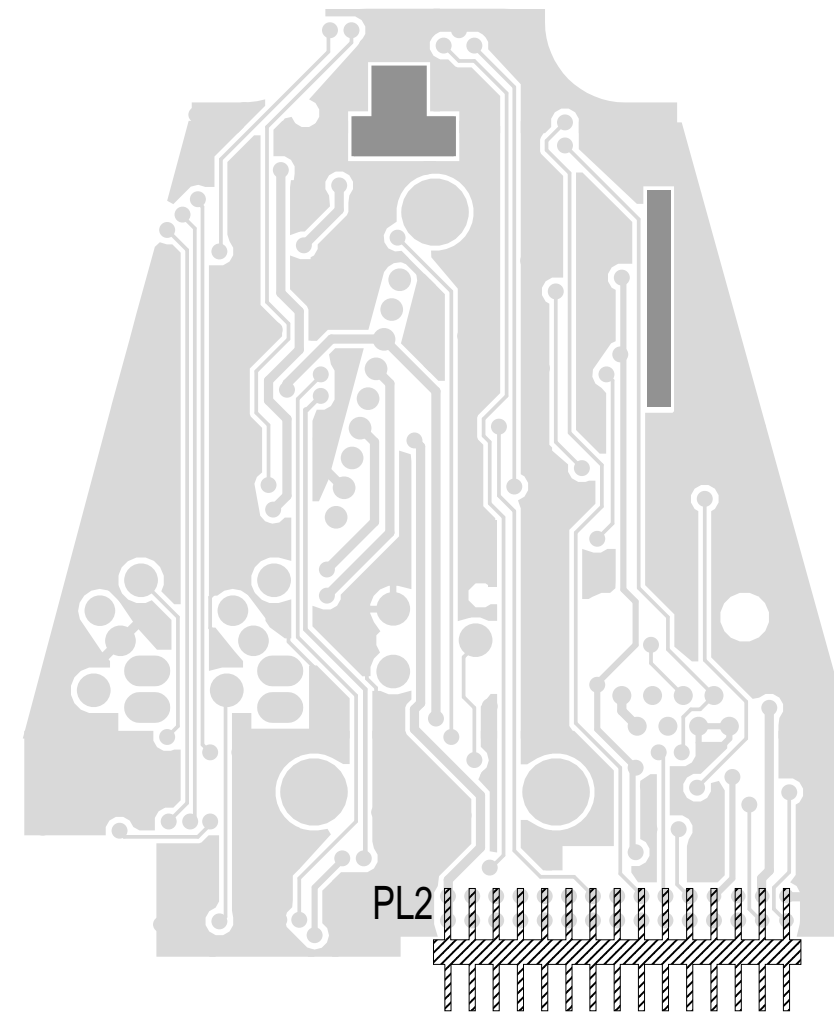
IPN: 220-01505-01 ISSUE: A ID: 2.SC. 1

PROJECT: ORCA DESIGNER: TS FILE NAME: 150501A FILE DATE: 16-5-98 NO.SHEETS: 1

-01A	UPDATED FROM -00A	TS/DH	X	X	X	X
REV/ISS	AMENDMENTS	DRAWN	CHKD	D.O.	APVD	DATE

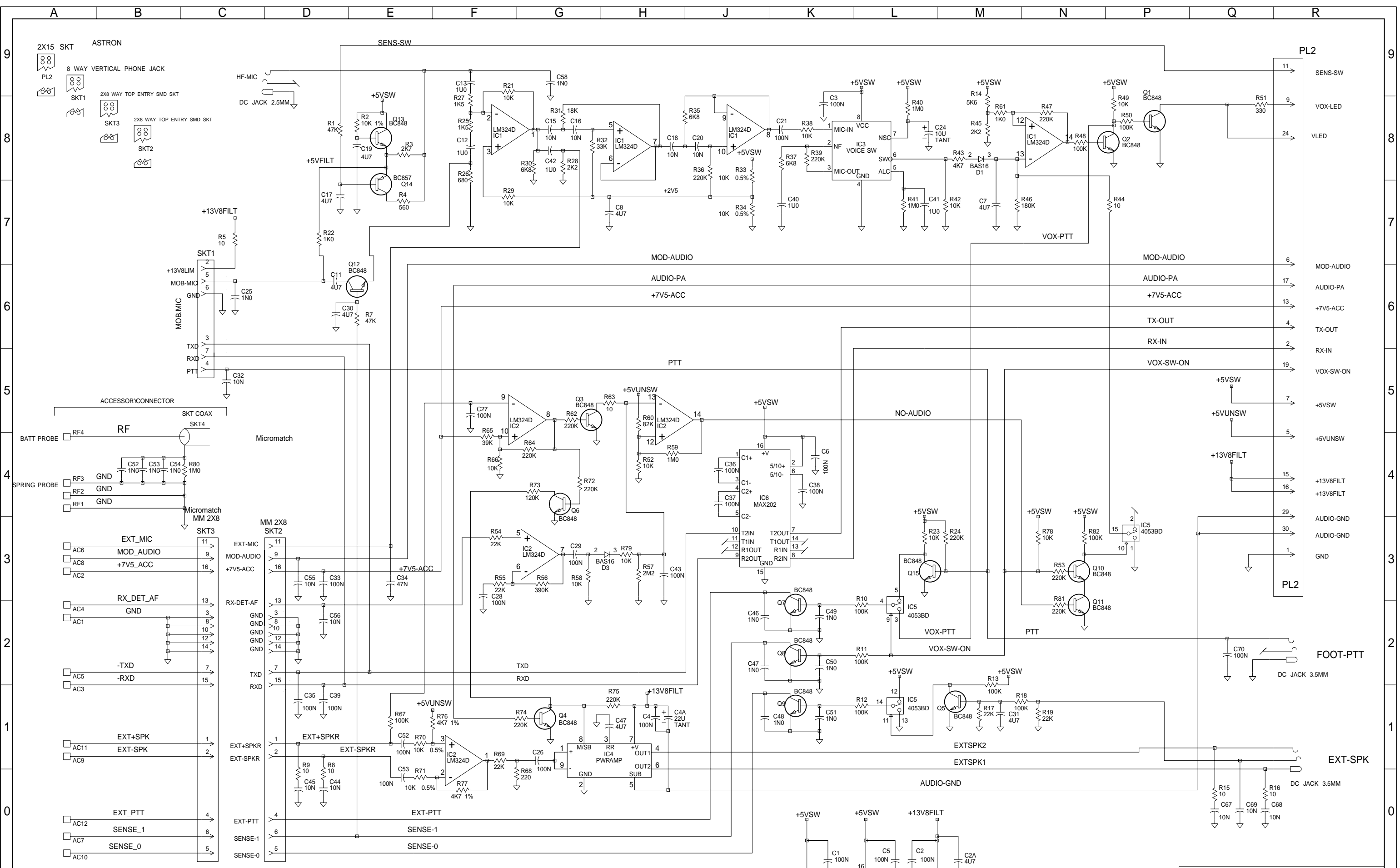


TAIT ELECTRONICS	IPN: 220-01505-01	ISS: A	ID: 1.TA	DATE: 17 May 1998
VOX BOARD PCB LAYOUT - TOP SIDE				



TAIT ELECTRONICS	IPN:	ISS:	ID:	DATE:
	220-01505-01	A	2.BA	17 May 1998
VOX BOARD PCB LAYOUT - BOTTOM SIDE				

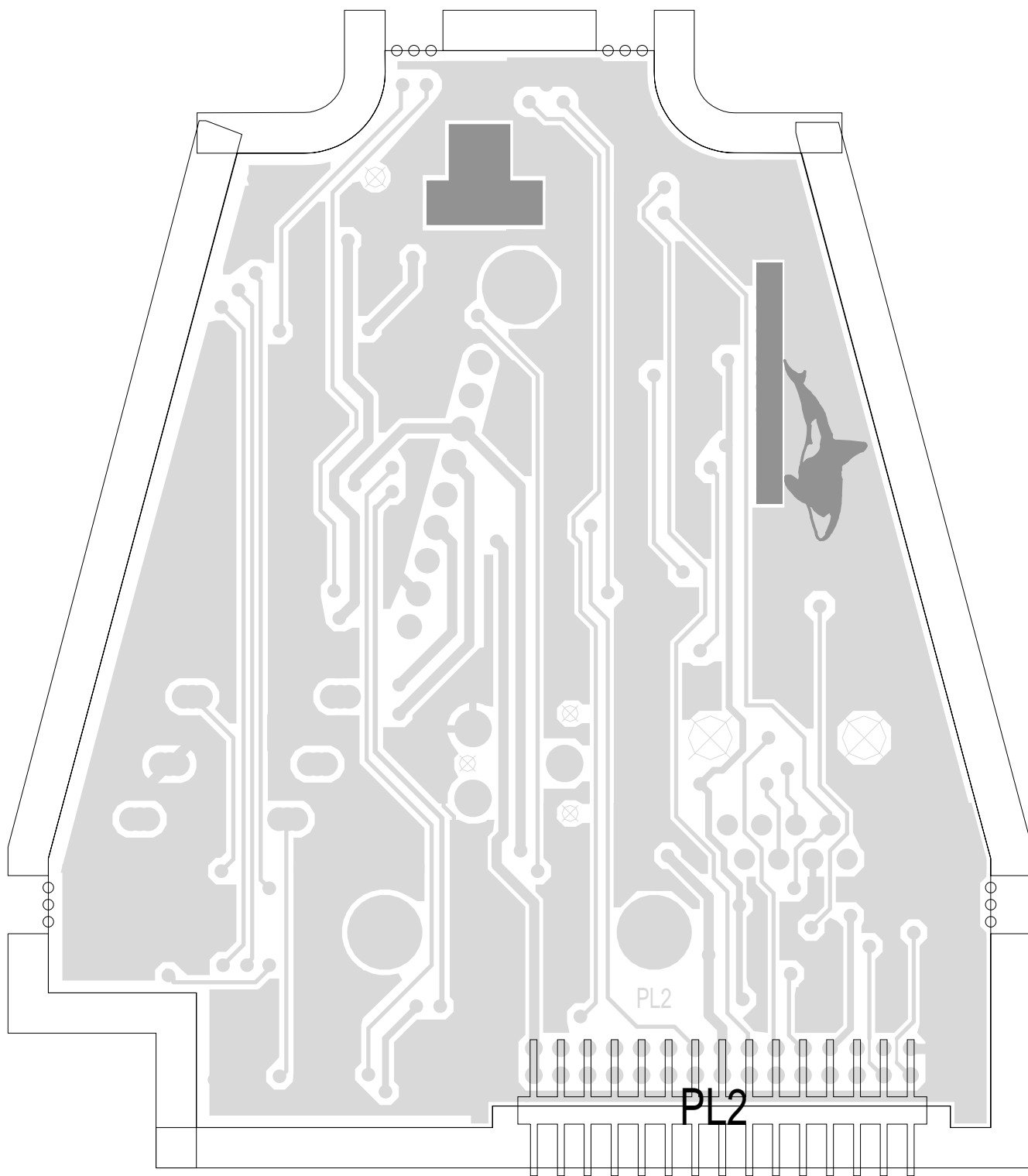
Scale: 1.6:1 ; Rotation: 0 degrees



© TAIT ELECTRONICS
 TAIT ORCA SERIES
 CAR KIT VOX PCB

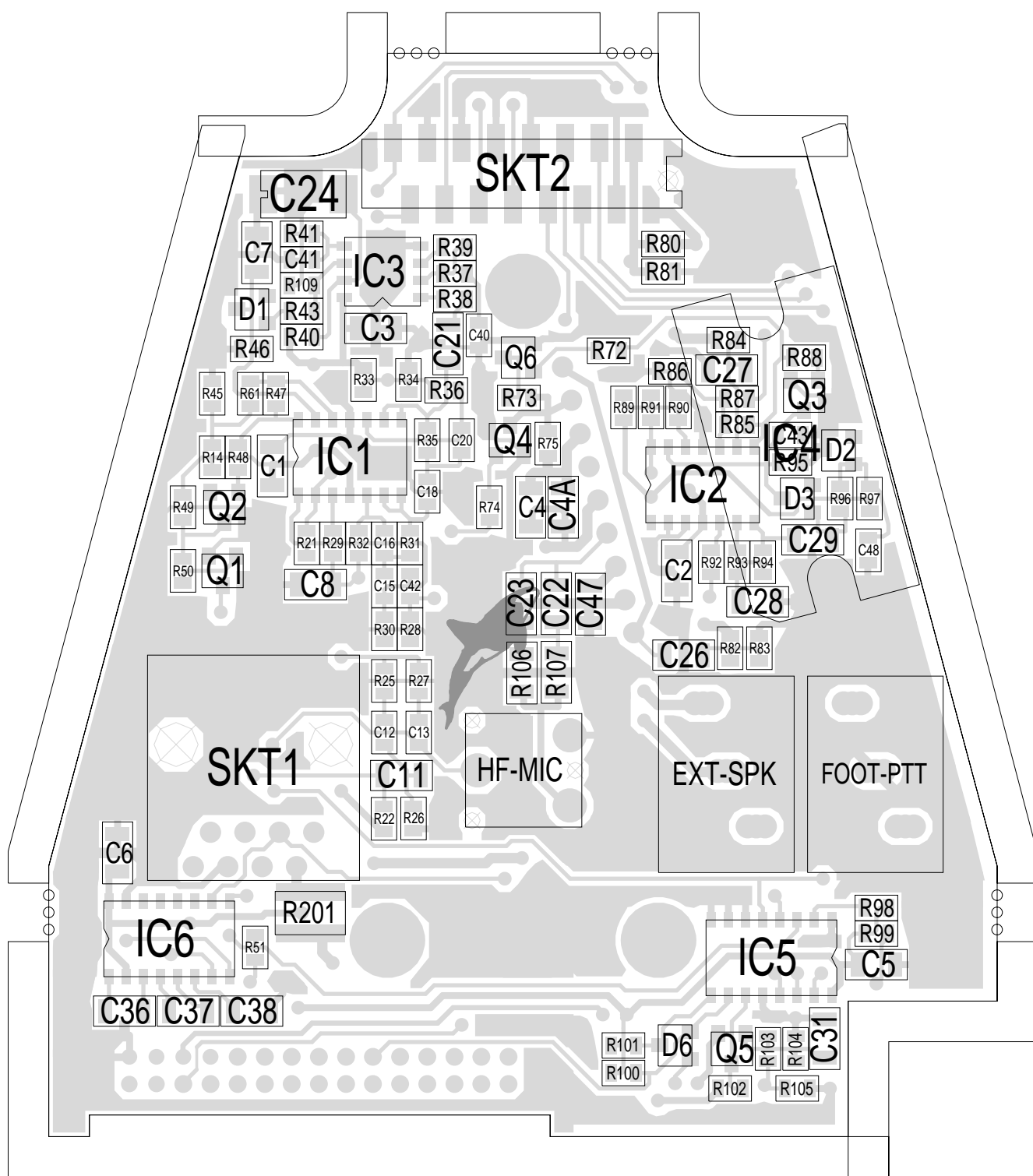
IPN: 220-01505-02	ISSUE: A	ID: 2.S.C. 1
PROJECT: ORCA	DESIGNER: TS	FILE NAME: 150502A
FILE DATE: 14-7-98	NO. SHEETS: 0815	1

-01A	UPDATED FROM -00A	TS/DH				
REV/ISS	AMENDMENTS	DRAWN	CHKD	D.O.	APVD	DATE



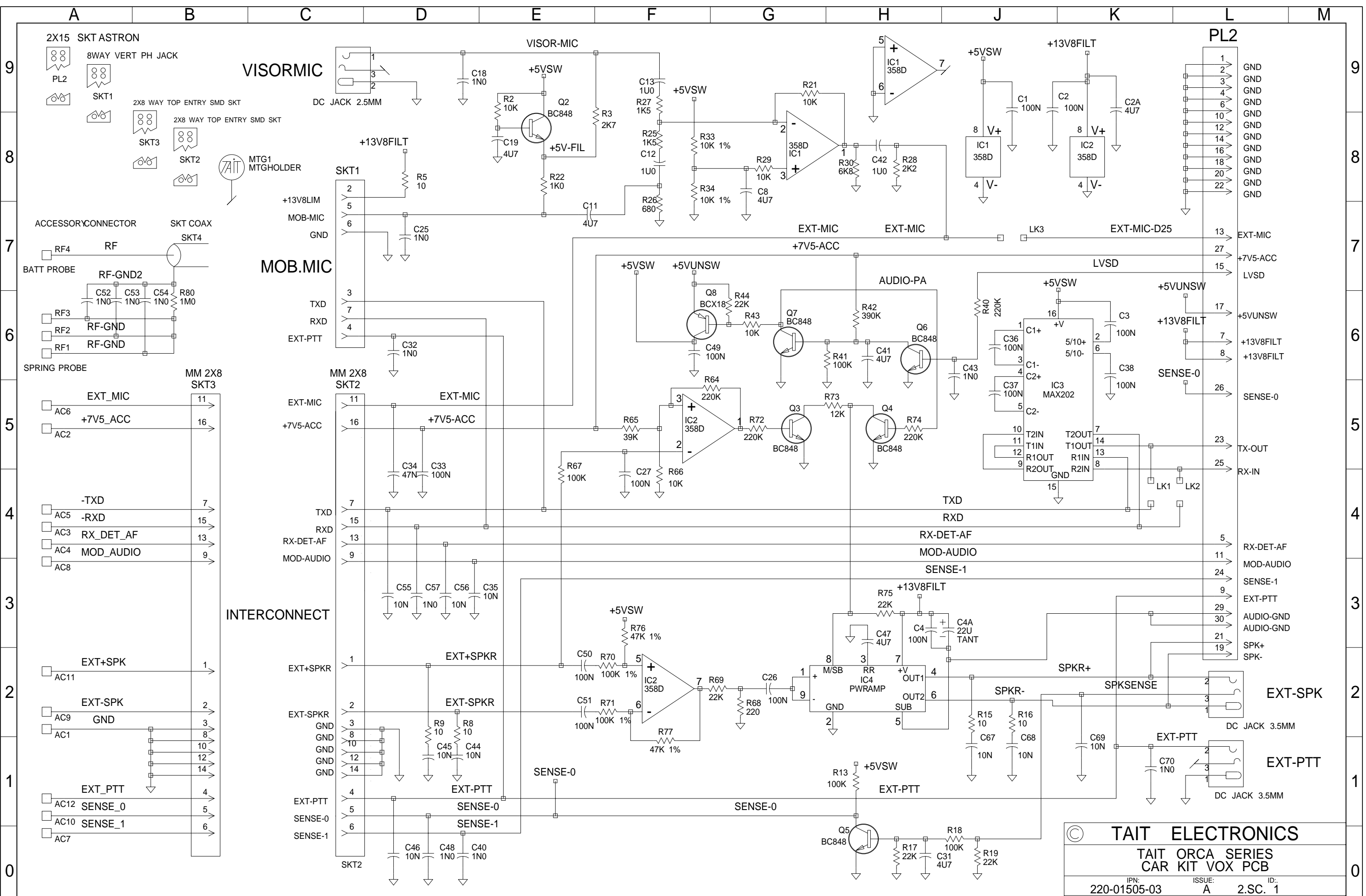
TAIT ELECTRONICS	IPN:	ISS:	ID:	DATE:
	220-01505-01	A	2.BA	14 Jan 1999
VOX BOARD PCB LAYOUT - BOTTOM SIDE				

Scale: 2.3:1 ; Rotation: 0 degrees



TAIT ELECTRONICS	IPN: 220-01505-01	ISS: A	ID: 1.TA	DATE: 14 Jan 1999
VOX BOARD PCB LAYOUT - TOP SIDE				

Scale: 2.3:1 ; Rotation: 0 degrees

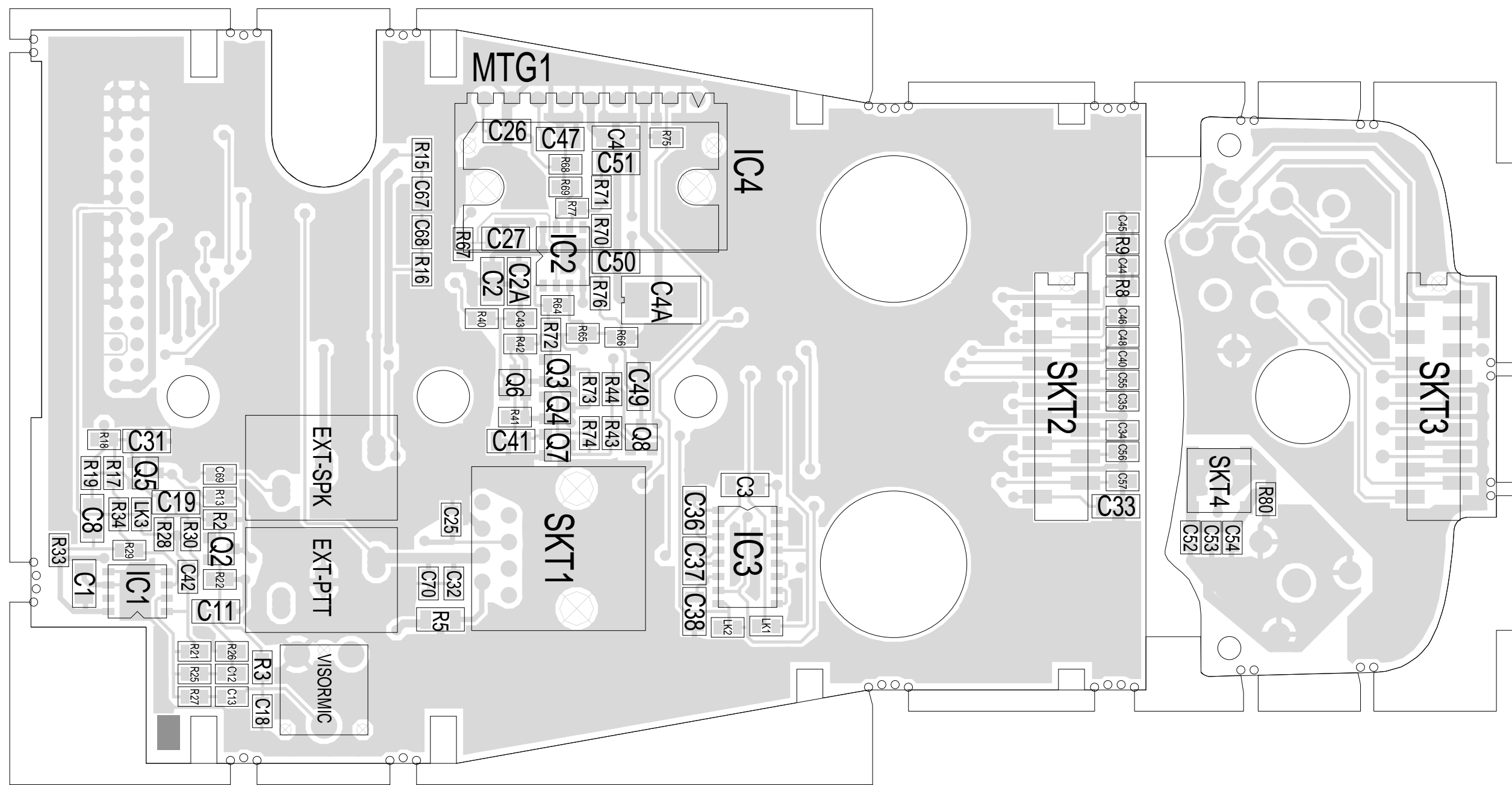


TAIT ELECTRONICS

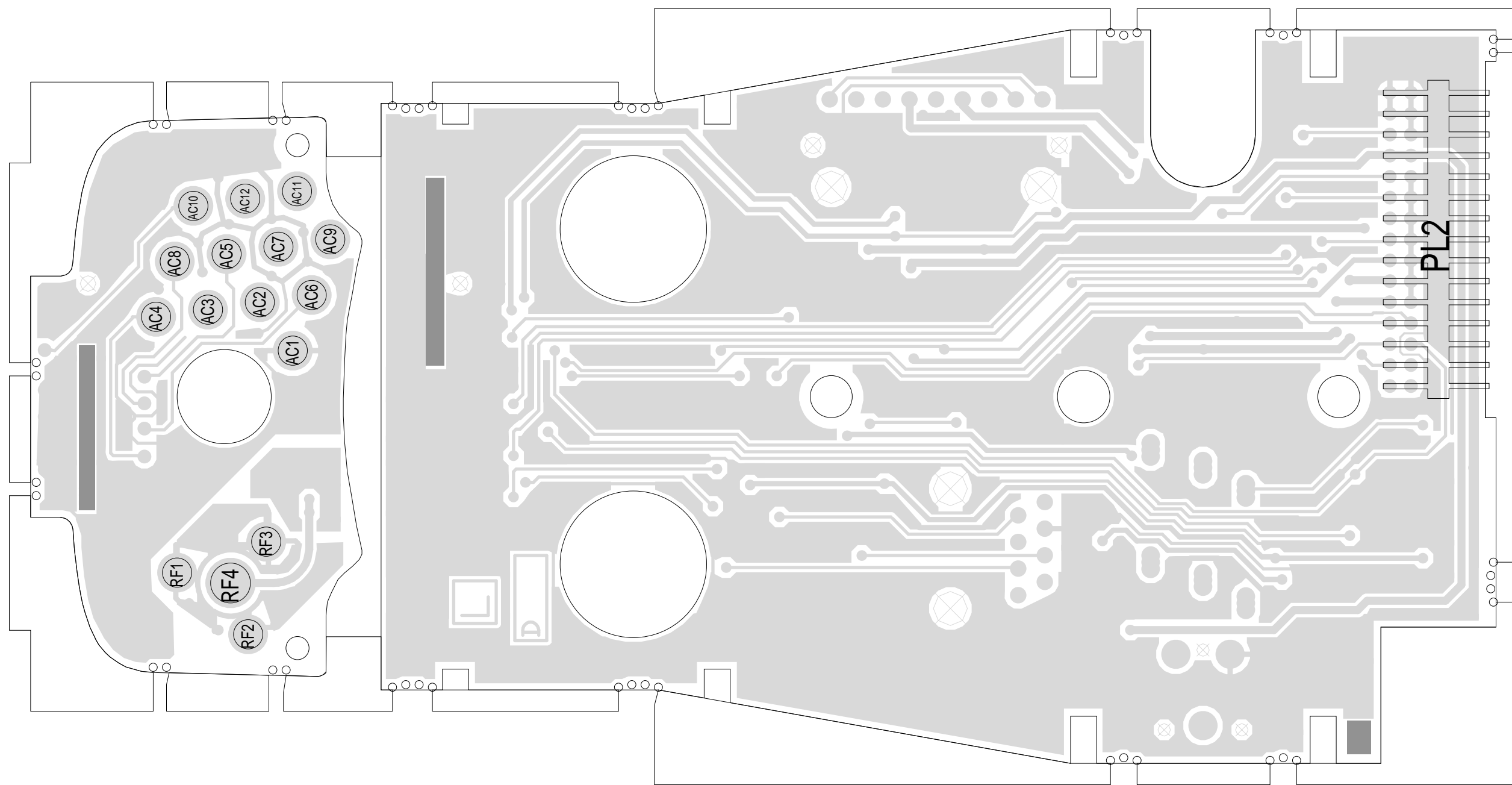
**TAIT ORCA SERIES
CAR KIT VOX PCB**

IPN: 220-01505-03	ISSUE: A	ID: 2.SC. 1
PROJECT: ORCA	DESIGNER: TS	FILE NAME: 150503A
	FILE DATE: 31-8-98	NO. SHEETS: 1

REV/ISS	AMENDMENTS	DRAWN	CHKD	D.O.	APVD	DATE

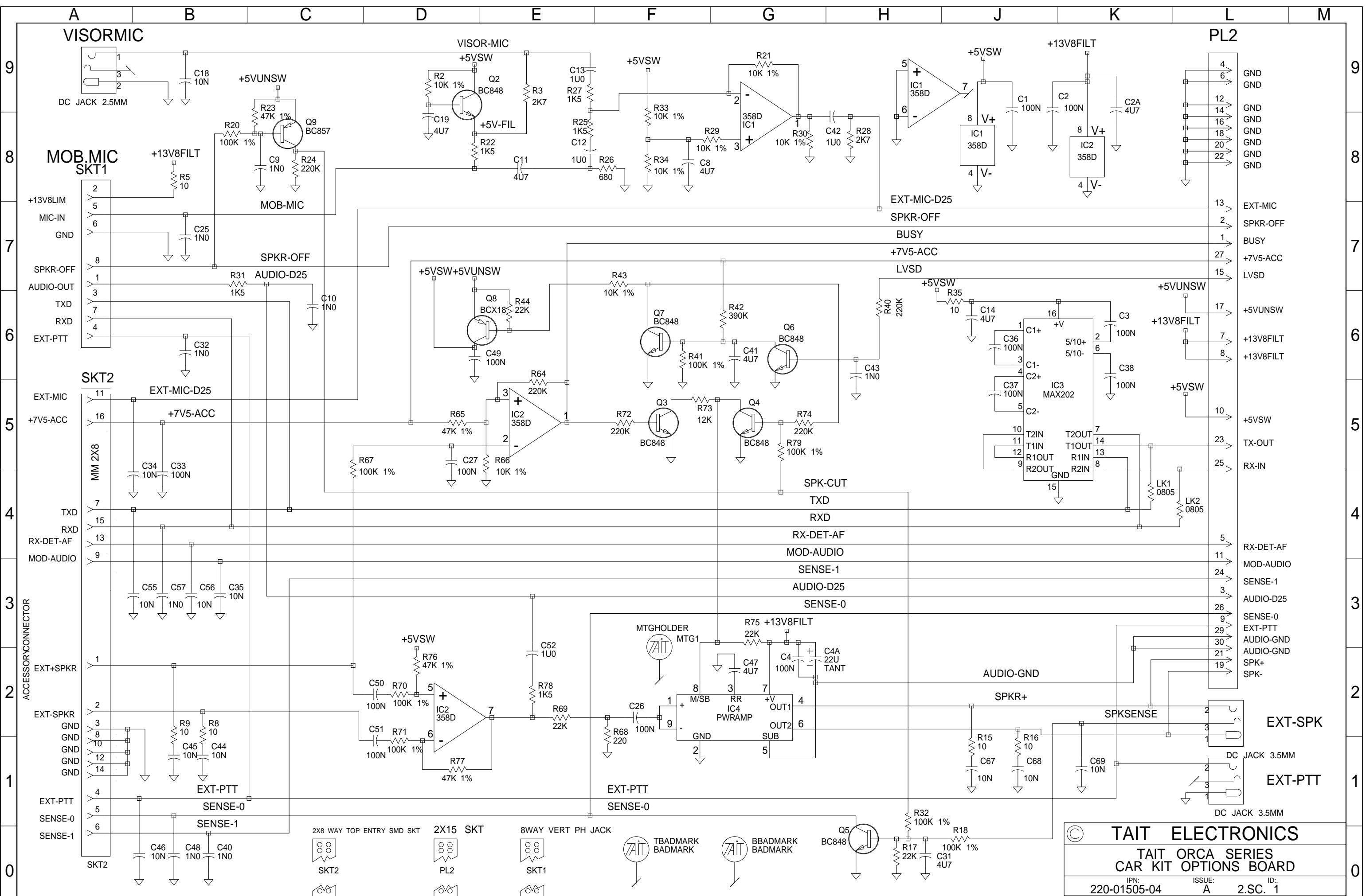


TAIT ELECTRONICS IPN: 220-01505-03 ISS: A ID: 1.TA DATE: 4 Sep 1998
 OPTIONS PCB PCB LAYOUT - TOP SIDE



TAIT ELECTRONICS	IPN:	ISS:	ID:	DATE:
	220-01505-03	A	2.BA	4 Sep 1998
OPTIONS PCB PCB LAYOUT - BOTTOM SIDE				

Scale: 2.3:1 ; Rotation: 0 degrees



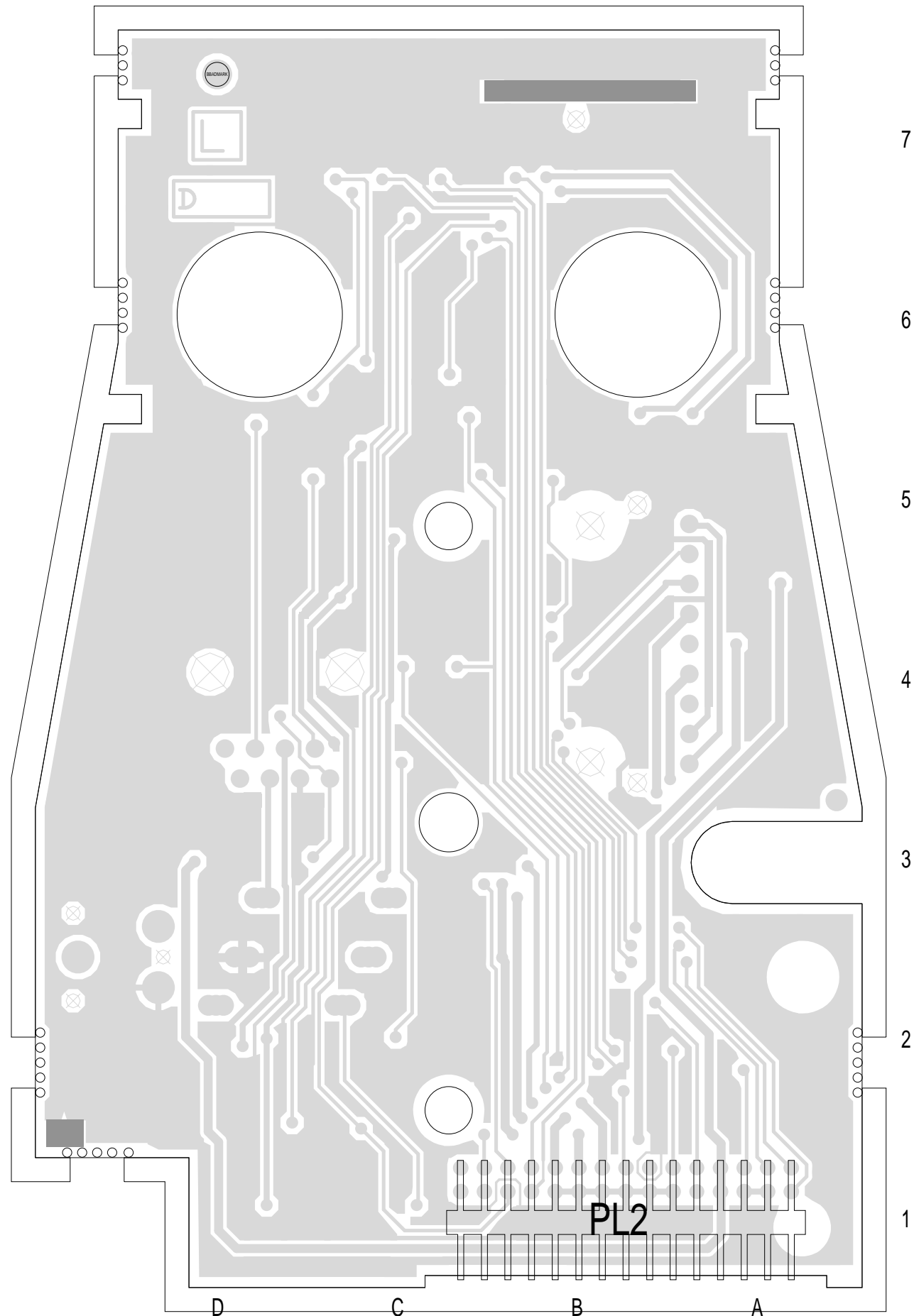
TAIT ELECTRONICS

**TAIT ORCA SERIES
CAR KIT OPTIONS BOARD**

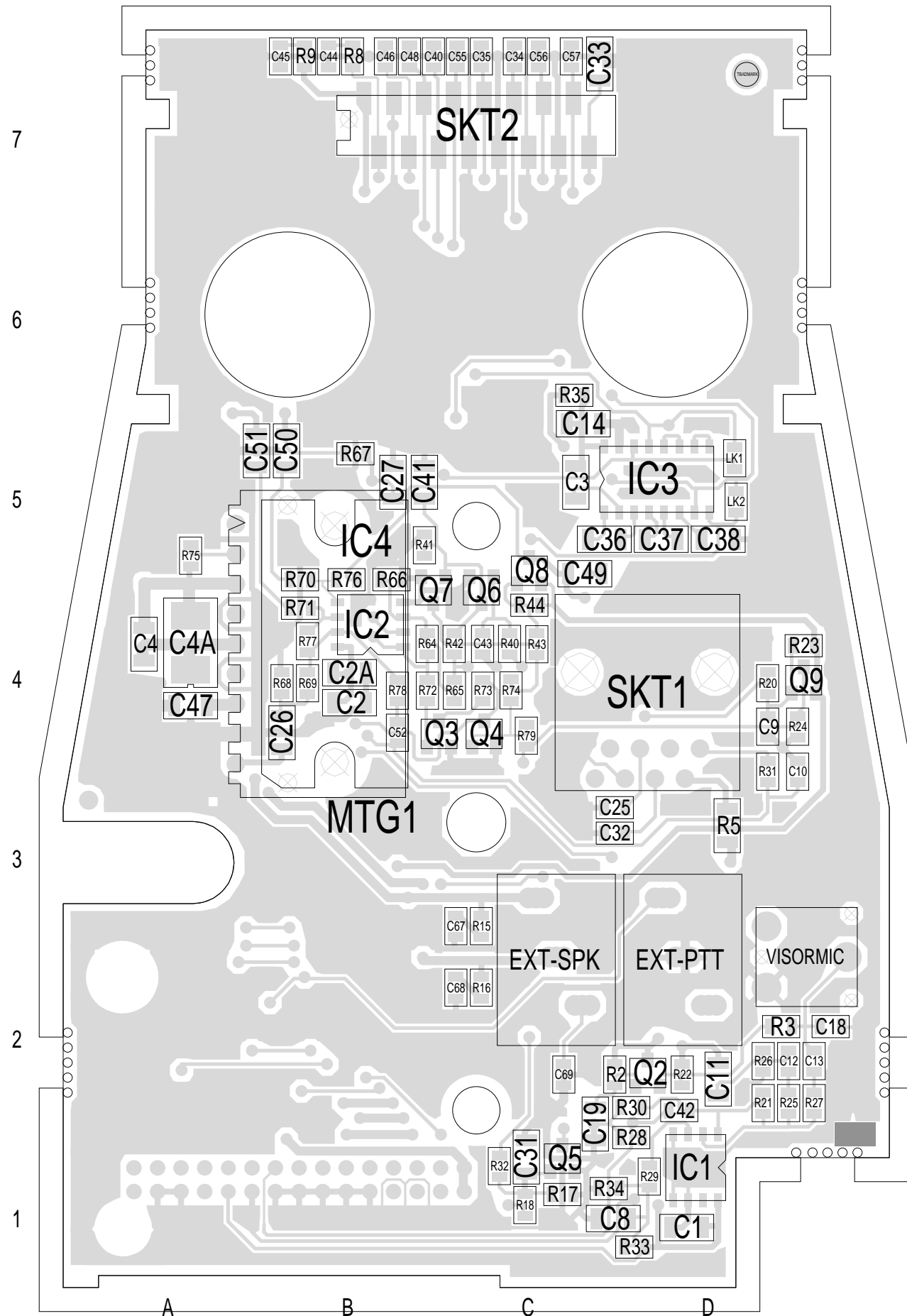
IPN: 220-01505-04 ISSUE: A ID: 2.SC. 1

PROJECT: ORCA DESIGNER: TS FILE NAME: 150504A FILE DATE: 19-11-98 NO.SHEETS: 1

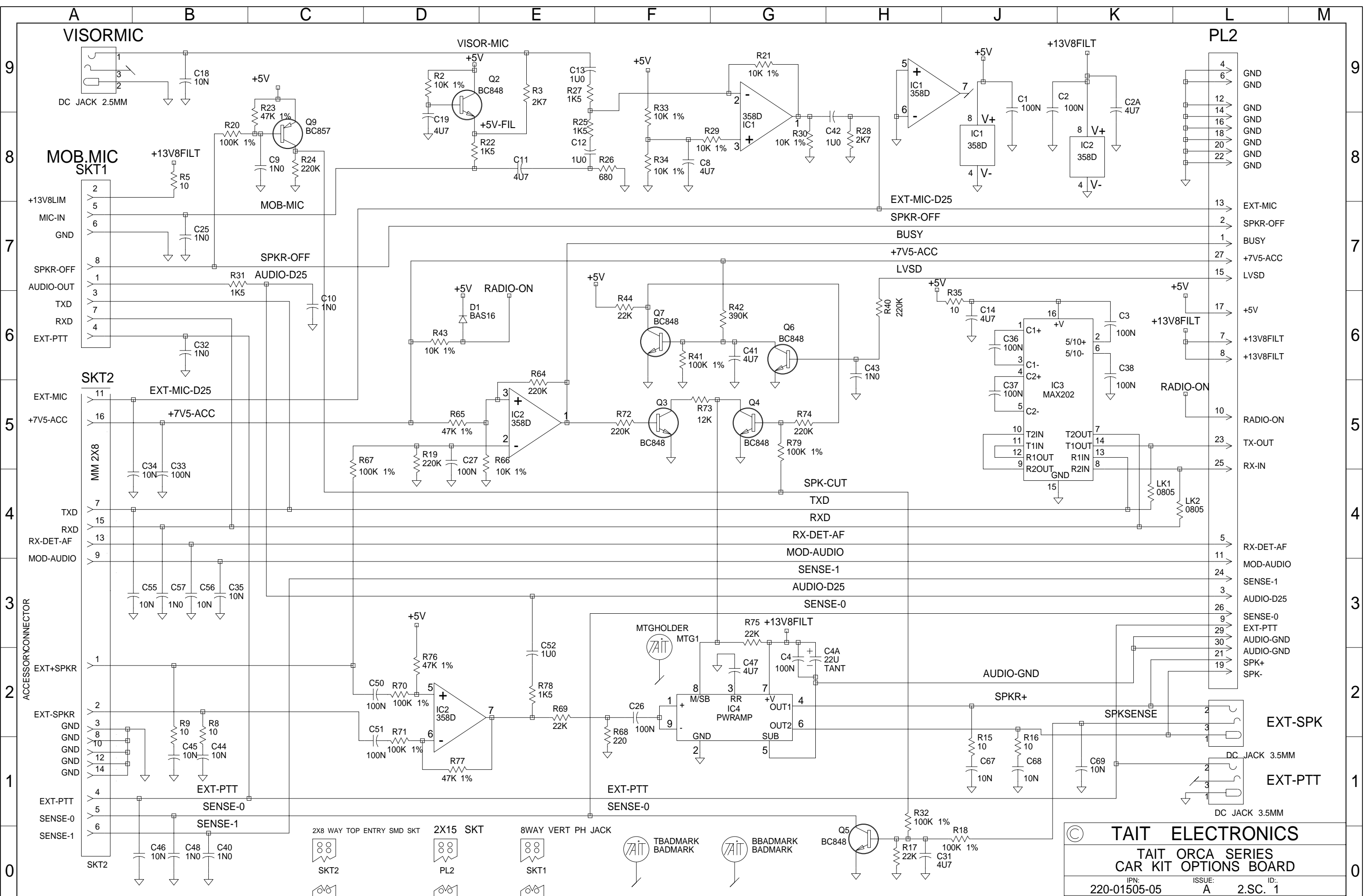
REV/ISS	AMENDMENTS	DRAWN	CHKD	D.O.	APVD	DATE



TAIT ELECTRONICS	IPN:	ISS:	ID:	DATE:
	220-01505-04	A	2.BA	16 Nov 1998
OPTIONS PCB PCB LAYOUT - BOTTOM SIDE				



TAIT ELECTRONICS IPN: 220-01505-04 ISS: A ID: 1.TA DATE: 16 Nov 1998
 OPTIONS PCB PCB LAYOUT - TOP SIDE

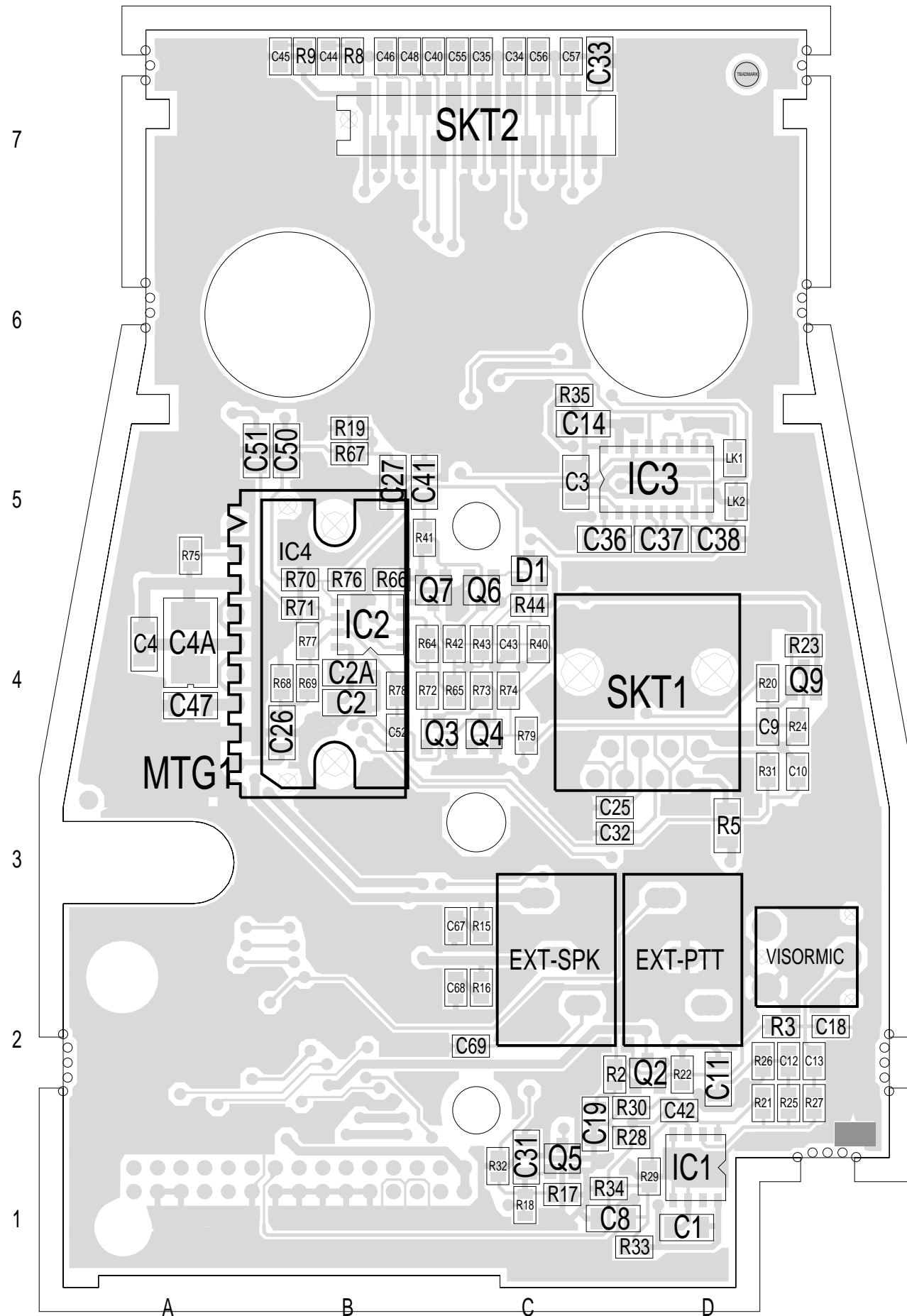


TAIT ELECTRONICS

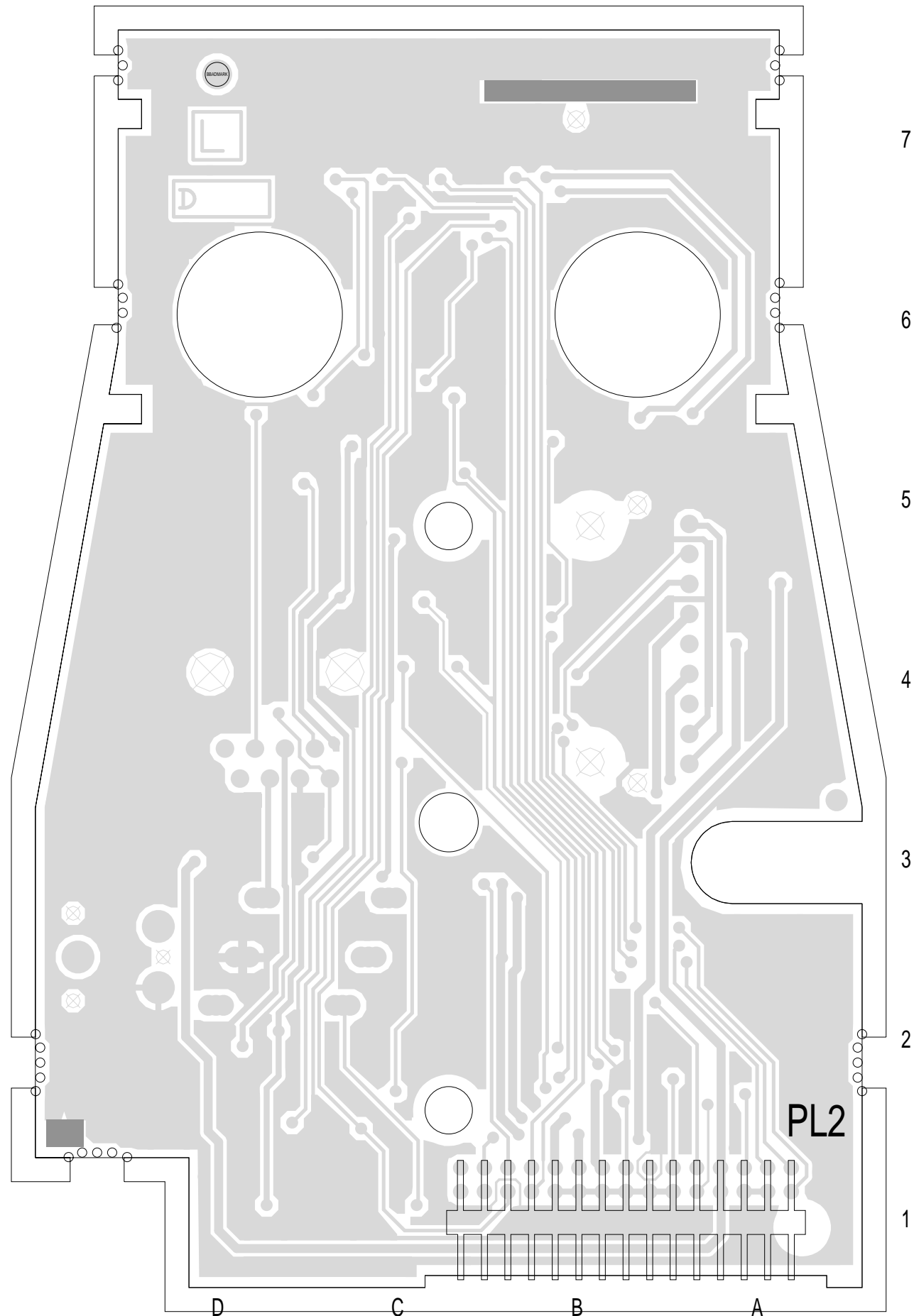
**TAIT ORCA SERIES
CAR KIT OPTIONS BOARD**

IPN: 220-01505-05	ISSUE: A	ID: 2.SC. 1
PROJECT: ORCA	DESIGNER: TS	FILE NAME: 150505A
	FILE DATE: 26-01-99	NO.SHEETS: 1

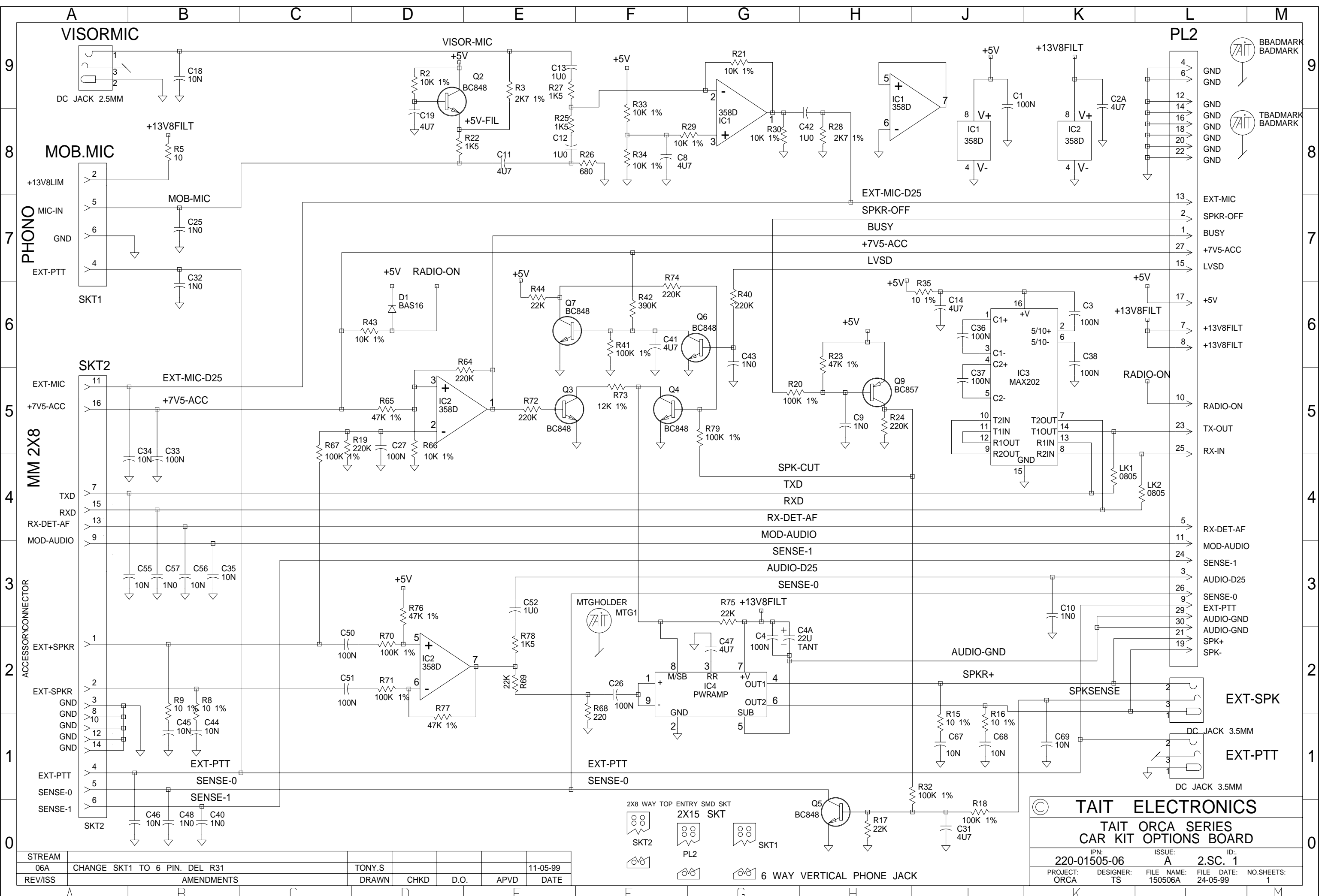
REV/ISS	AMENDMENTS	DRAWN	CHKD	D.O.	APVD	DATE



TAIT ELECTRONICS	IPN: 220-01505-05	ISS: 05	ID: 1.TA	DATE: 26 Jan 1999
OPTIONS PCB PCB LAYOUT - TOP SIDE				



TAIT ELECTRONICS	IPN: 220-01505-05	ISS: 05	ID: 2.BA	DATE: 26 Jan 1999
OPTIONS PCB PCB LAYOUT - BOTTOM SIDE				



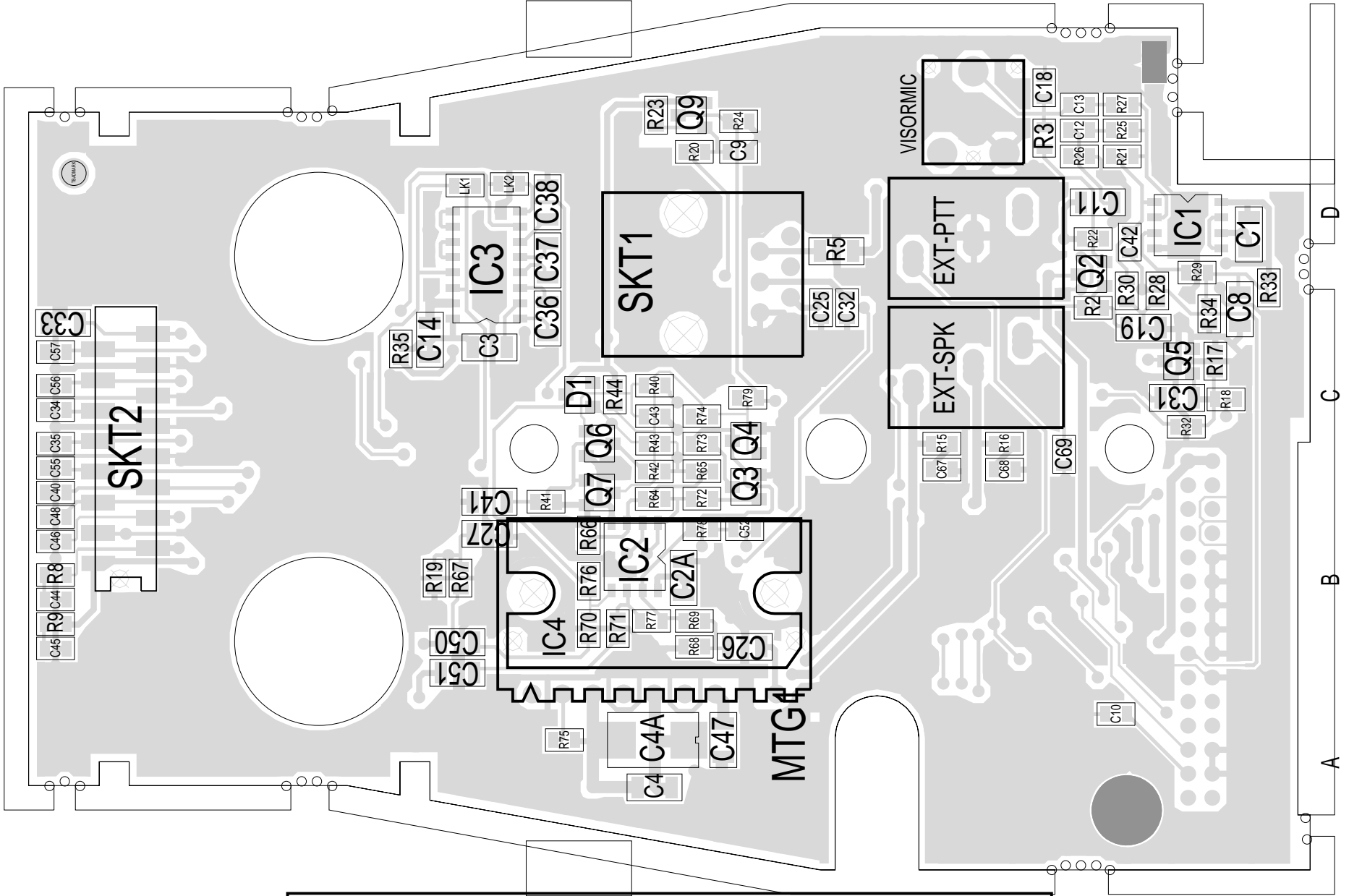
© **TAIT ELECTRONICS**
TAIT ORCA SERIES
CAR KIT OPTIONS BOARD

IPN: 220-01505-06 ISSUE: A ID: 2.SC. 1

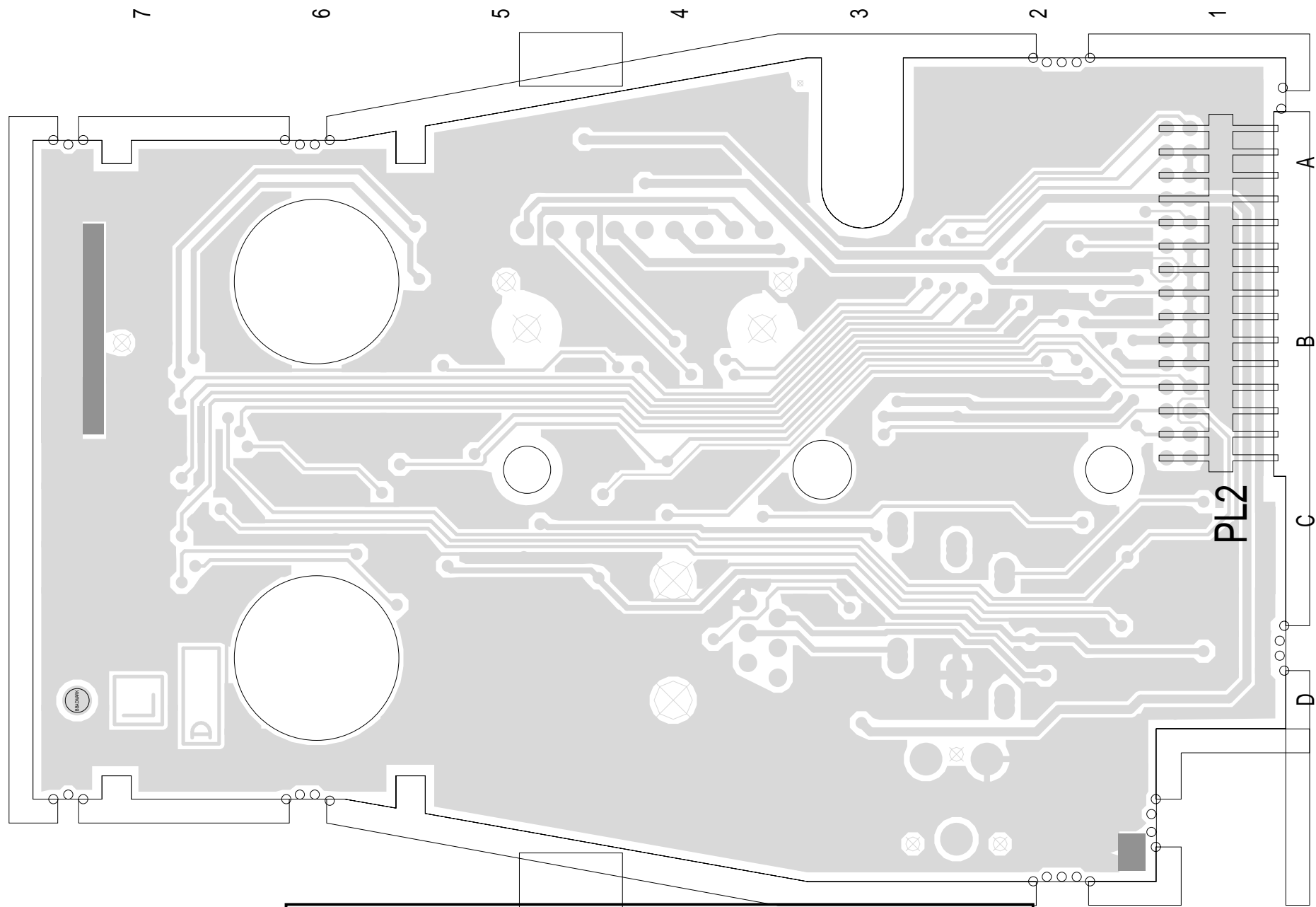
PROJECT: ORCA DESIGNER: TS FILE NAME: 150506A FILE DATE: 24-05-99 NO.SHEETS: 1

STREAM						
06A	CHANGE SKT1 TO 6 PIN. DEL R31	TONY.S				11-05-99
REV/ISS	AMENDMENTS	DRAWN	CHKD	D.O.	APVD	DATE

- 2X8 WAY TOP ENTRY SMD SKT SKT2
- 2X15 SKT PL2
- 6 WAY VERTICAL PHONE JACK SKT1

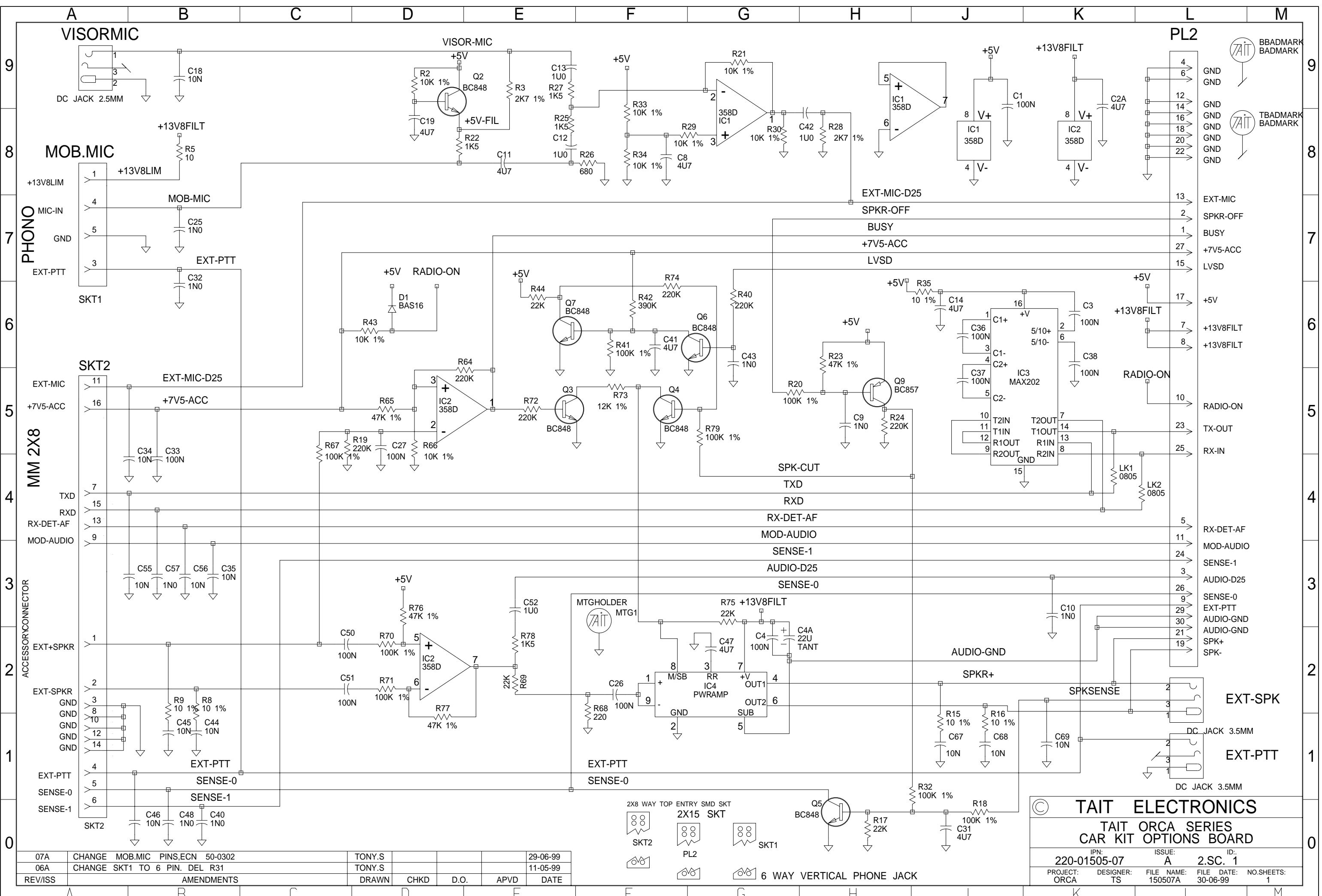


TAIT ELECTRONICS IPN: 220-01505-06 ISS: 06 ID: 1.TA DATE: 3 Jun 1999
OPTIONS PCB PCB LAYOUT - TOP SIDE



TAIT ELECTRONICS	IPN: 220-01505-06	ISS: 06	ID: 2.BA	DATE: 4 Jun 1999
	OPTIONS PCB PCB LAYOUT - BOTTOM SIDE			

Scale:2.2:1 ; Rotation: 270 degrees

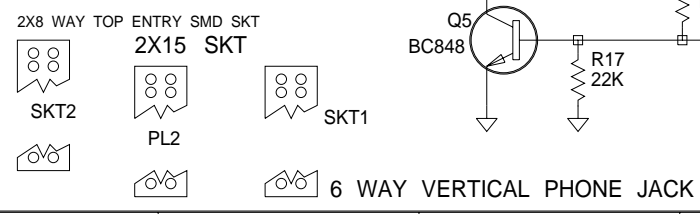


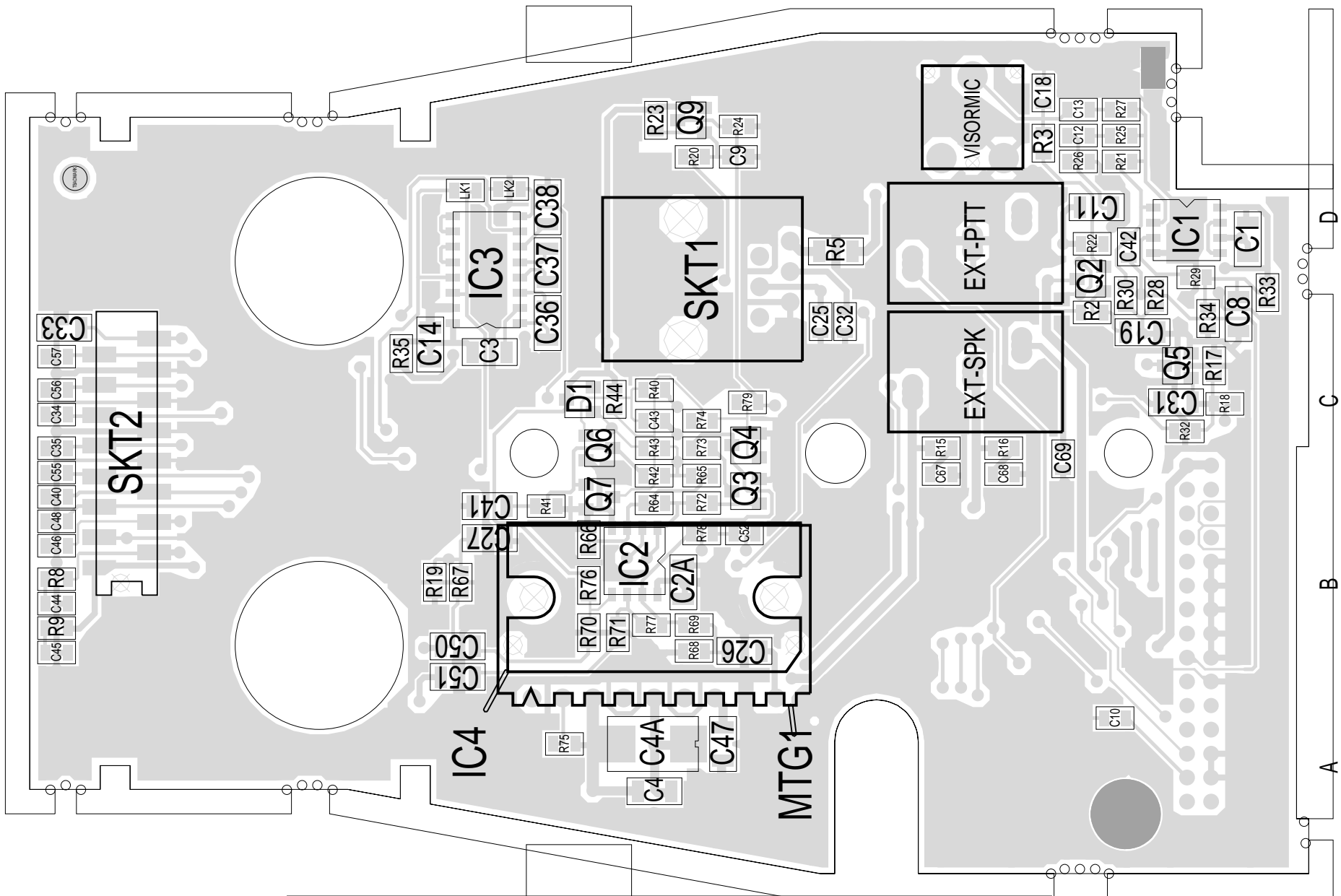
© **TAIT ELECTRONICS**
TAIT ORCA SERIES
CAR KIT OPTIONS BOARD

IPN: 220-01505-07 ISSUE: A ID: 2.SC. 1

PROJECT: ORCA DESIGNER: TS FILE NAME: 150507A FILE DATE: 30-06-99 NO.SHEETS: 1

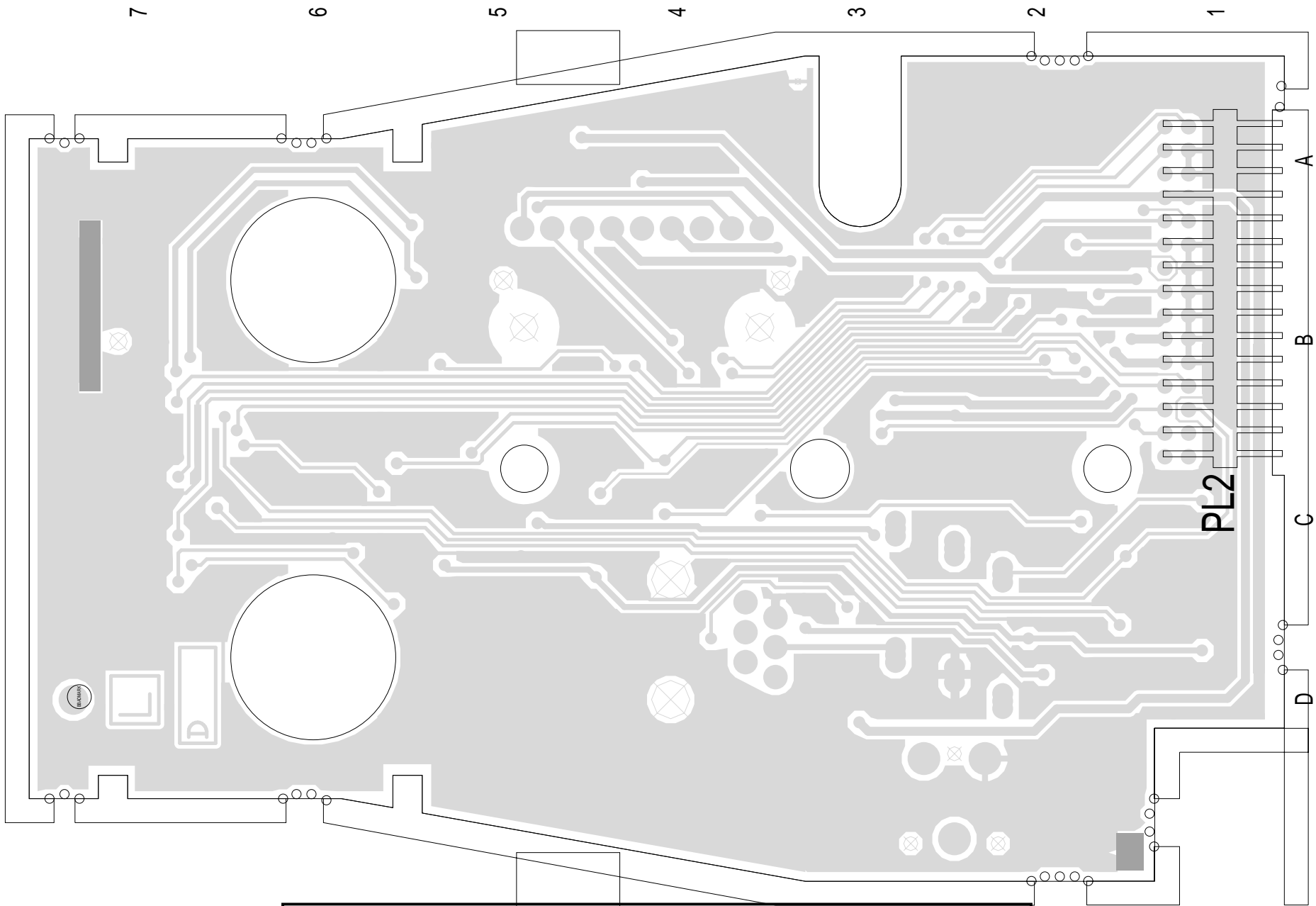
07A	CHANGE MOB.MIC PINS,ECN 50-0302	TONY.S				29-06-99
06A	CHANGE SKT1 TO 6 PIN. DEL R31	TONY.S				11-05-99
REV/ISS	AMENDMENTS	DRAWN	CHKD	D.O.	APVD	DATE





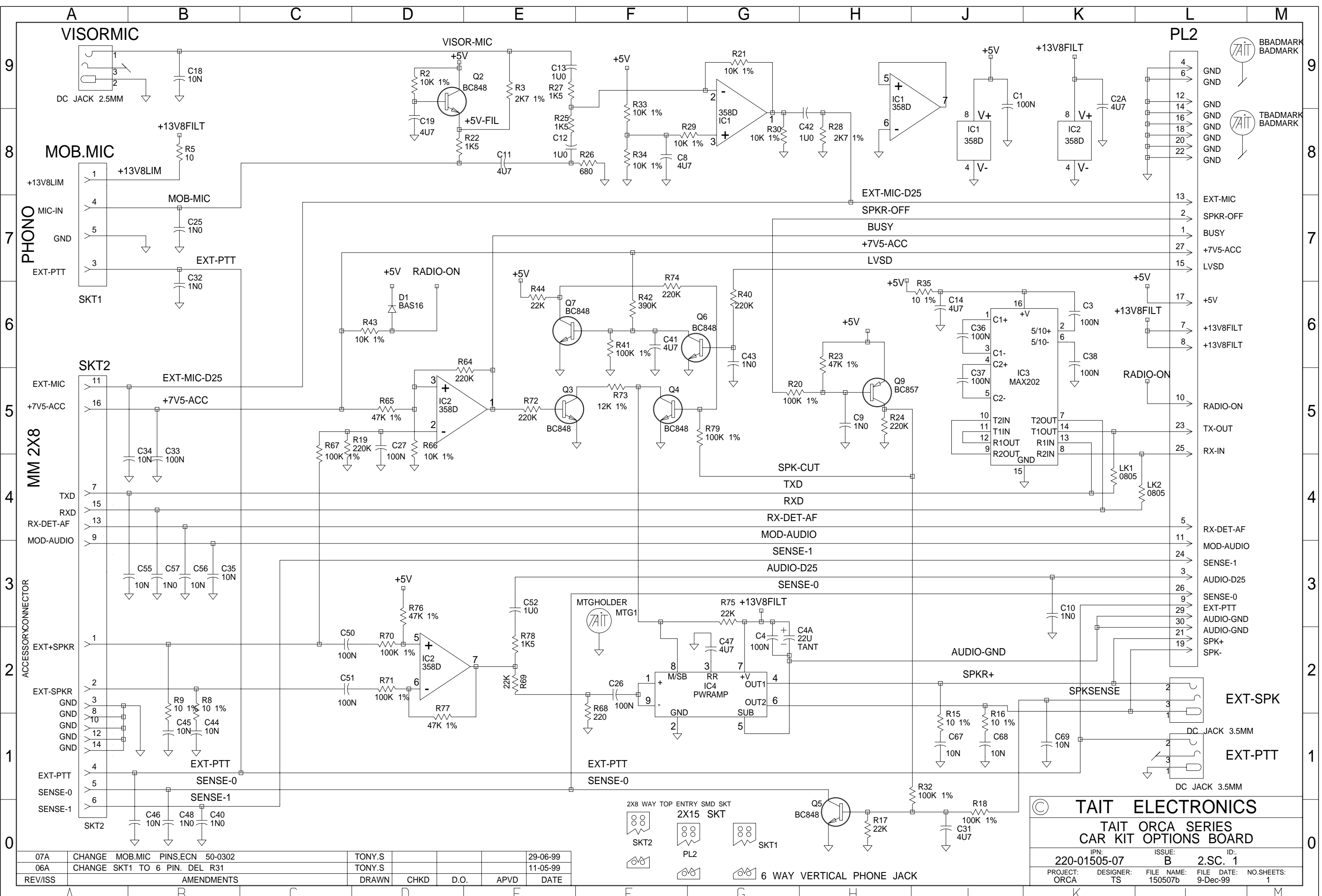
TAIT ELECTRONICS IPN: 220-01505-07 ISS: 07 ID: 1.TA DATE: 08 Jul 1999
OPTIONS PCB PCB LAYOUT - TOP SIDE

Scale: 2.2:1 ; Rotation: 270 degrees



TAIT ELECTRONICS	IPN:	ISS:	ID:	DATE:
	220-01505-07	07	2.BA	8 Jul 1999
OPTIONS PCB PCB LAYOUT - BOTTOM SIDE				

Scale: 2.2:1 ; Rotation: 270 degrees

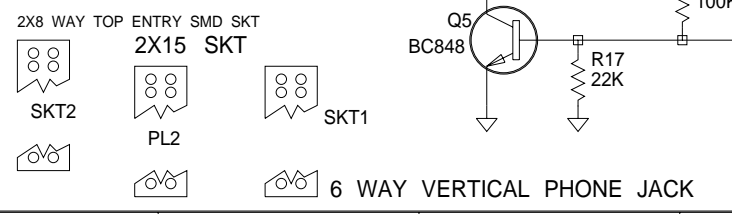


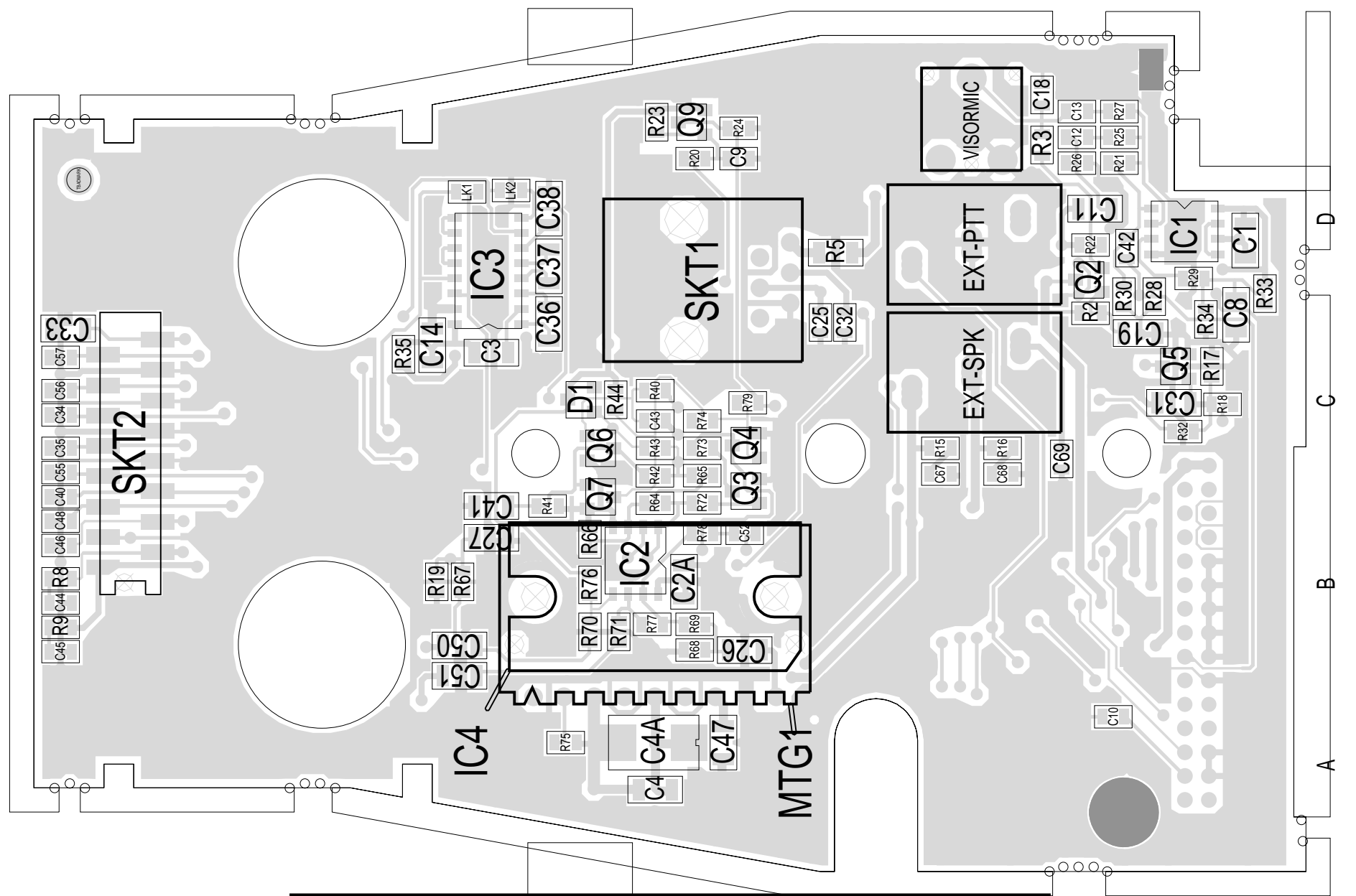
TAIT ELECTRONICS
TAIT ORCA SERIES
CAR KIT OPTIONS BOARD

IPN: 220-01505-07 ISSUE: B ID: 2.SC. 1

PROJECT: ORCA DESIGNER: TS FILE NAME: 150507b FILE DATE: 9-Dec-99 NO.SHEETS: 1

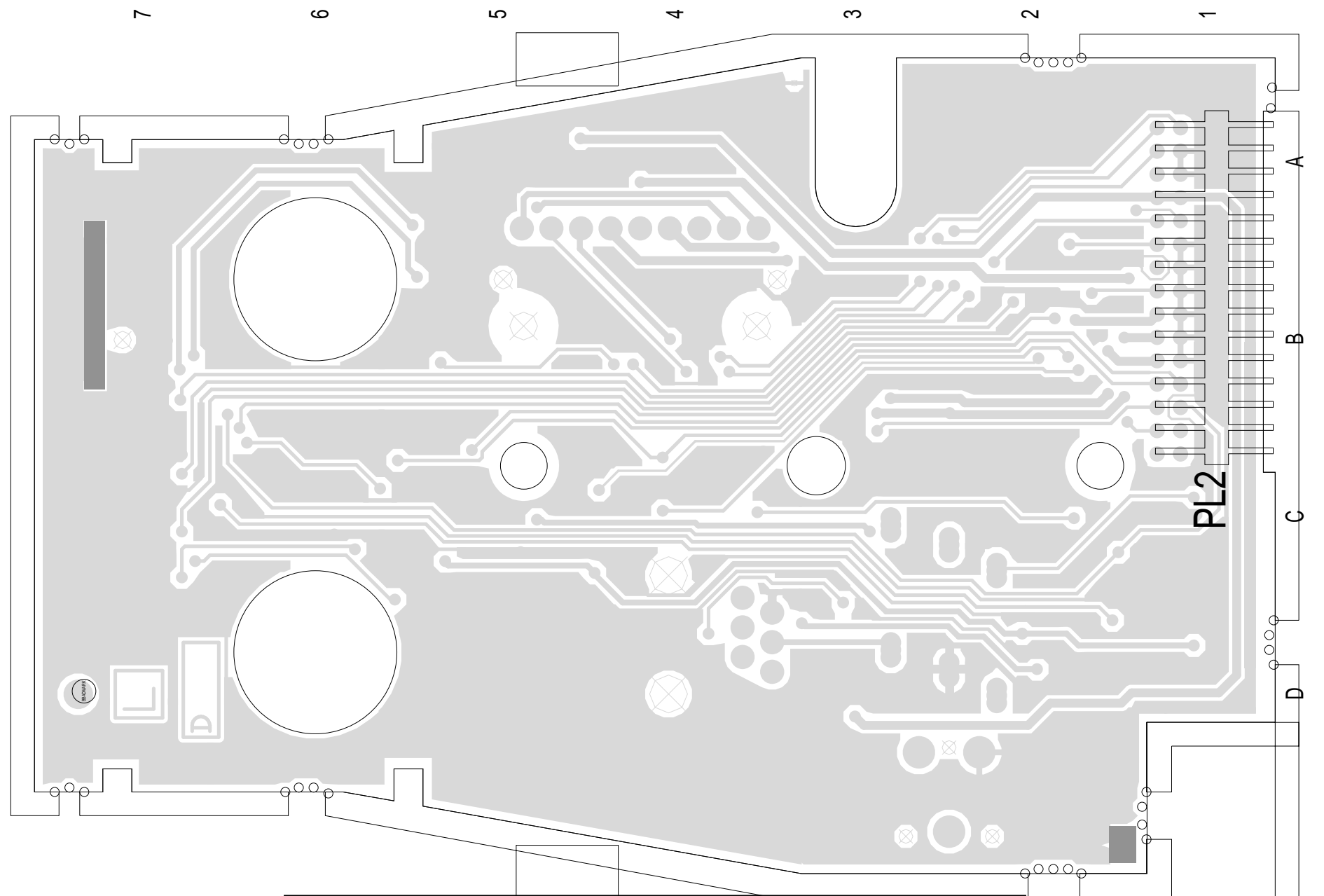
07A	CHANGE MOB.MIC PINS,ECN 50-0302	TONY.S				29-06-99
06A	CHANGE SKT1 TO 6 PIN. DEL R31	TONY.S				11-05-99
REV/ISS	AMENDMENTS	DRAWN	CHKD	D.O.	APVD	DATE





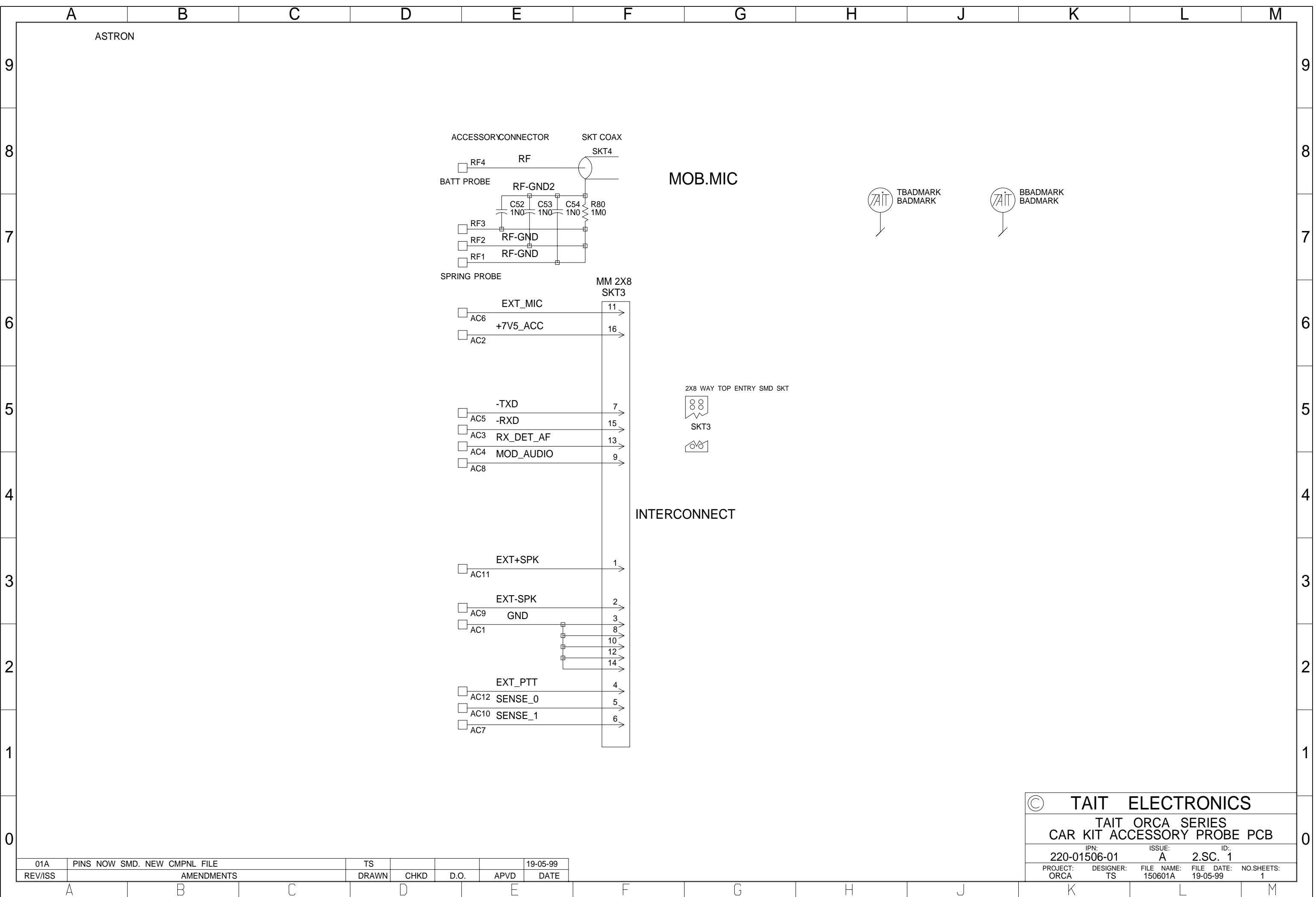
TAIT ELECTRONICS IPN: 220-01505-07 ISS: 07 ID: 1.TA DATE: 28 Jul 1999
 OPTIONS PCB PCB LAYOUT - TOP SIDE

Scale: 2.2:1 ; Rotation: 270 degrees



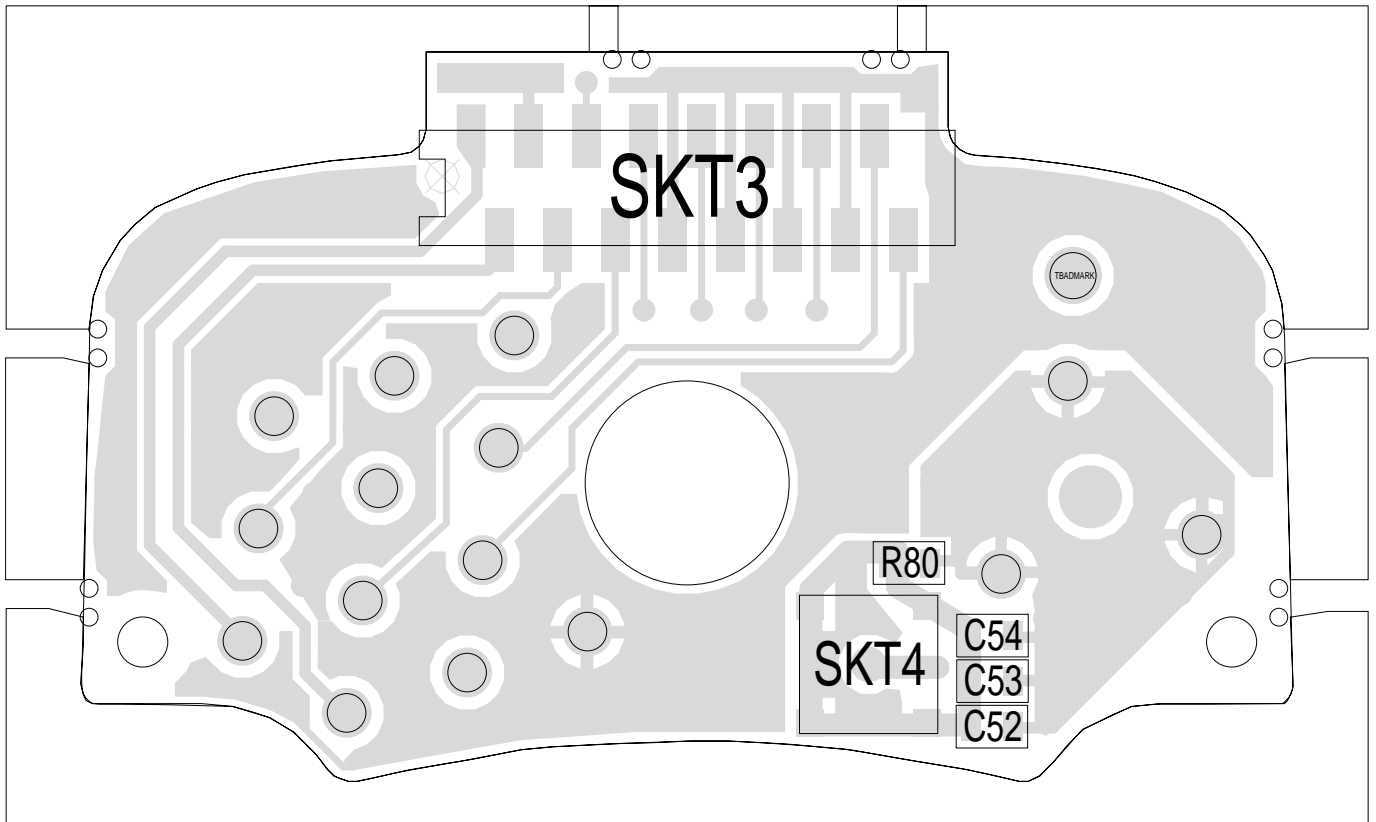
TAIT ELECTRONICS	IPN:	ISS:	ID:	DATE:
	220-01505-07	07	2.BA	8 Jul 1999
OPTIONS PCB PCB LAYOUT - BOTTOM SIDE				

Scale: 2.2:1 ; Rotation: 270 degrees



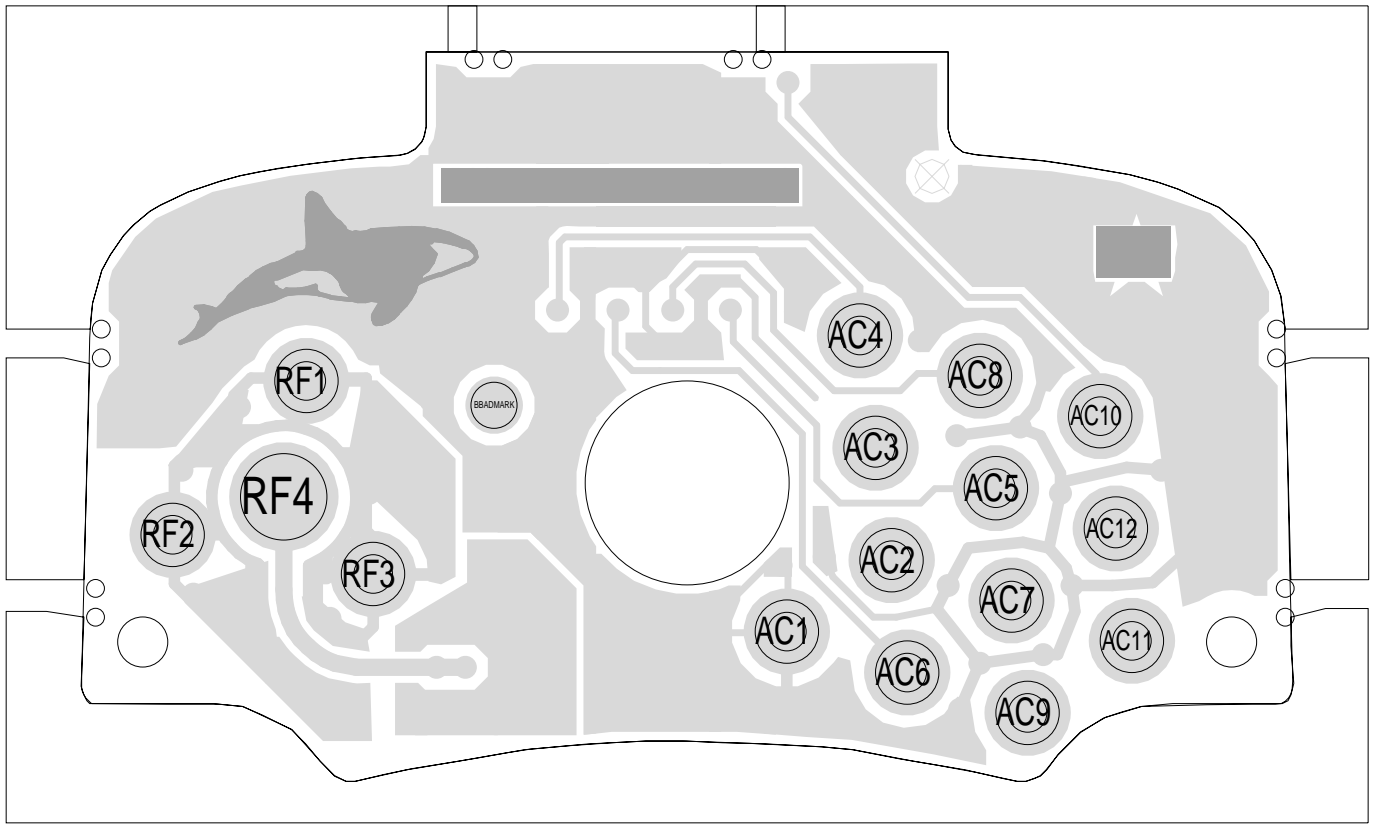
© TAIT ELECTRONICS
 TAIT ORCA SERIES
 CAR KIT ACCESSORY PROBE PCB
 IPN: 220-01506-01 ISSUE: A ID: 2.SC. 1
 PROJECT: ORCA DESIGNER: TS FILE NAME: 150601A FILE DATE: 19-05-99 NO.SHEETS: 1

01A	PINS NOW SMD. NEW CMPNL FILE	TS				19-05-99
REV/ISS	AMENDMENTS	DRAWN	CHKD	D.O.	APVD	DATE



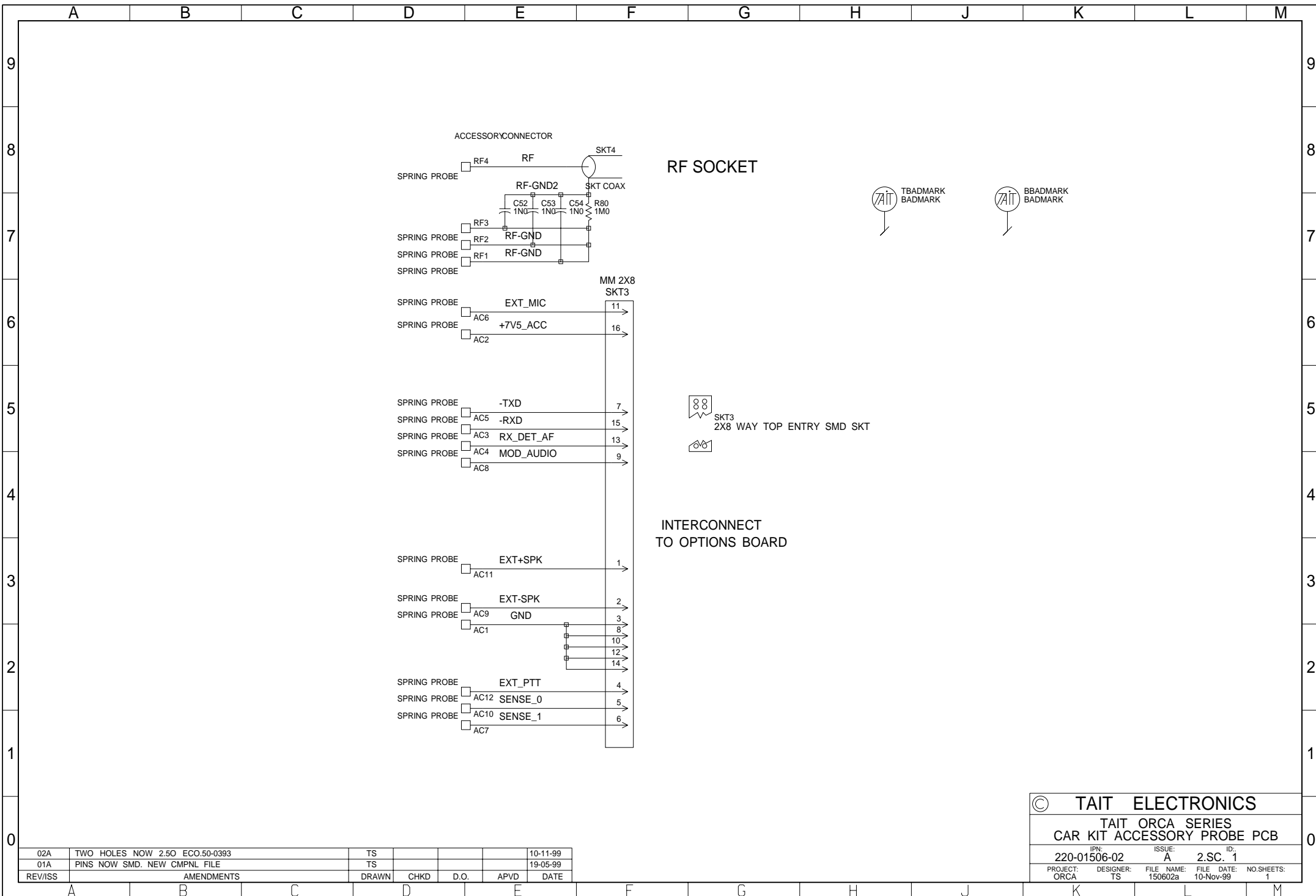
TAIT ELECTRONICS	IPN:	ISS:	ID:	DATE:
	220-01506-01	A	1.TA	4 Jun 1999
TOVK ACC CON PCB LAYOUT - TOP SIDE				

Scale:3:1 ; Rotation: 0 degrees



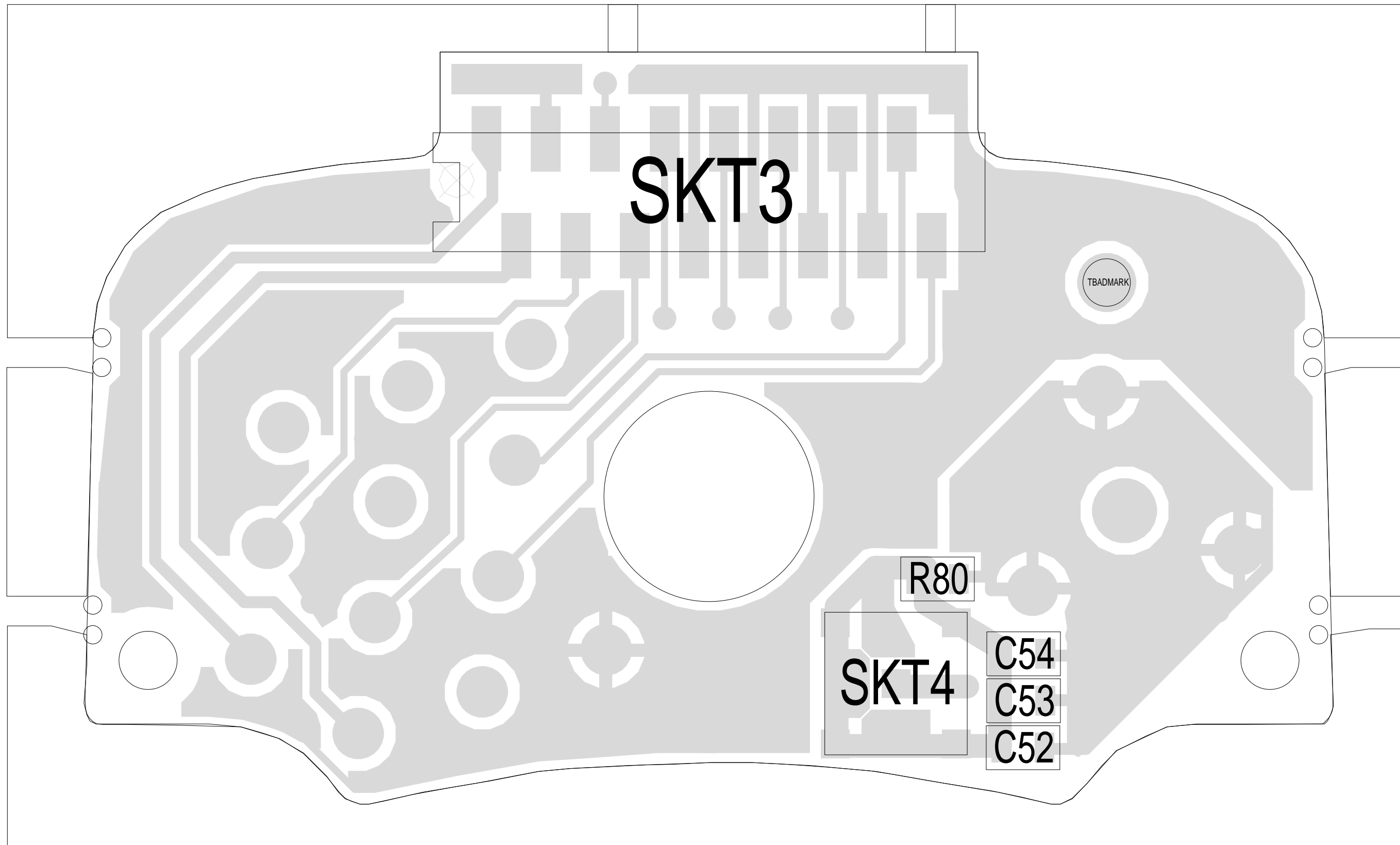
TAIT ELECTRONICS	IPN:	ISS:	ID:	DATE:
	220-01506-01	A	2.BA	4 Jun 1999
TOVK ACC CON PCB LAYOUT - BOTTOM SIDE				

Scale:3:1 ; Rotation: 0 degrees



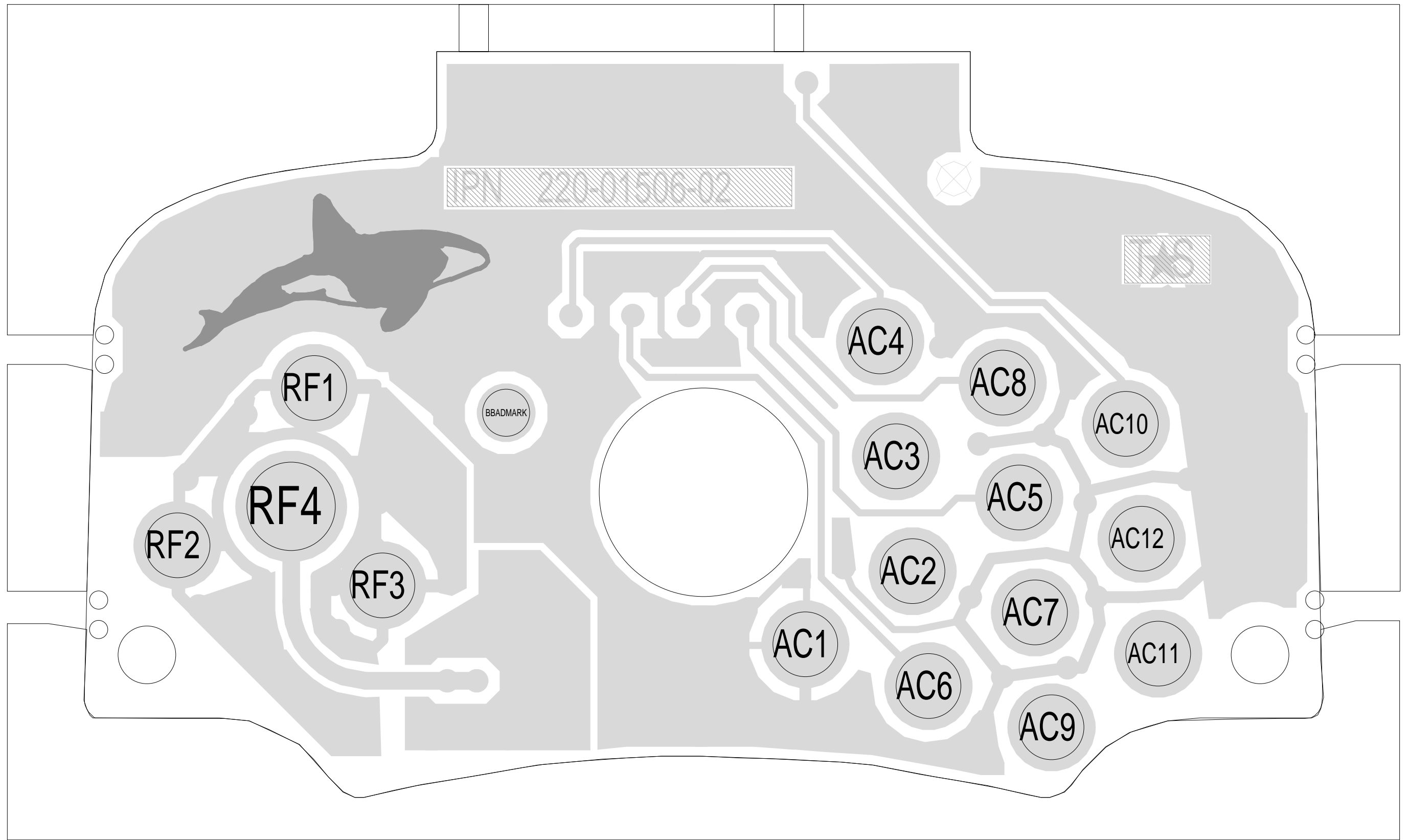
02A	TWO HOLES NOW 2.50 ECO.50-0393	TS				10-11-99
01A	PINS NOW SMD. NEW CMPNL FILE	TS				19-05-99
REV/ISS	AMENDMENTS	DRAWN	CHKD	D.O.	APVD	DATE

© TAIT ELECTRONICS					
TAIT ORCA SERIES					
CAR KIT ACCESSORY PROBE PCB					
IPN:	ISSUE:	ID:			
220-01506-02	A	2.S.C. 1			
PROJECT:	DESIGNER:	FILE NAME:	FILE DATE:	NO.SHEETS:	
ORCA	TS	150602a	10-Nov-99	1	



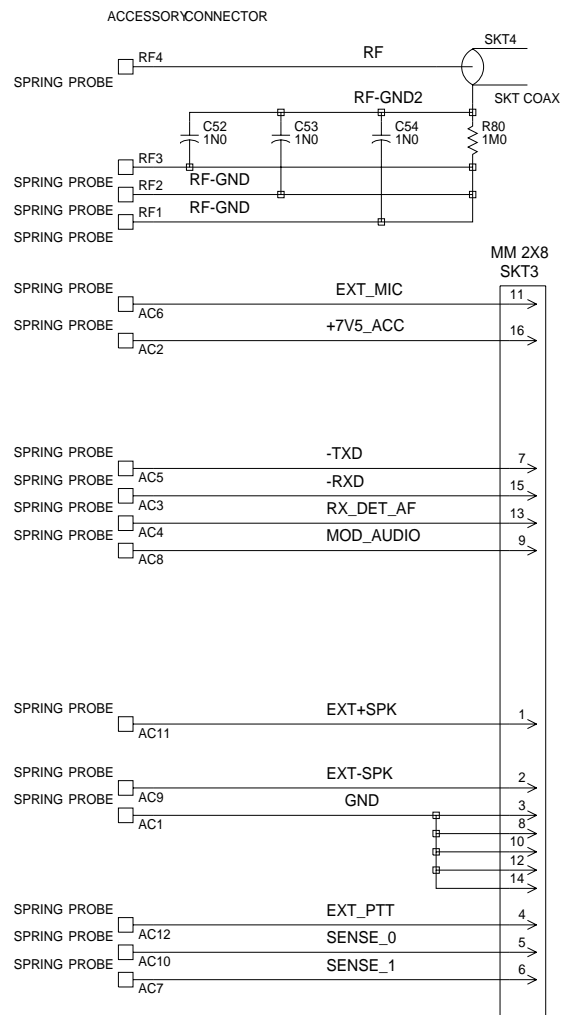
TAIT ELECTRONICS	IPN: 220-01506-02	ISS: A	ID: 1.TA	DATE: 10 Nov 1999
TOVK ACC CON PCB LAYOUT - TOP SIDE				

Scale:6.1 ; Rotation: 0 degrees

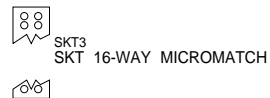


TAIT ELECTRONICS	IPN: 220-01506-02	ISS: A	ID: 2.BA	DATE: 10 Nov 1999
TOVK ACC CON PCB LAYOUT - BOTTOM SIDE				

Scale: 6:1 ; Rotation: 0 degrees



RF SOCKET

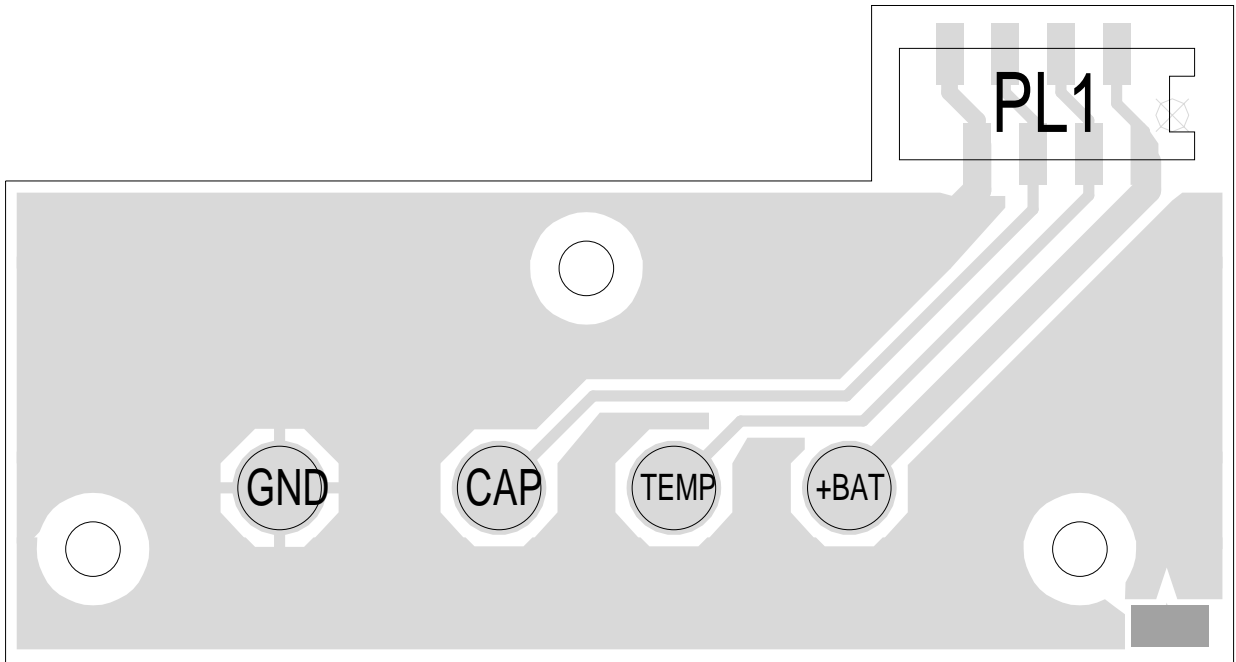


INTERCONNECT TO OPTIONS BOARD

03A	ECO 50-0899 MECH CHANGES	TS				01/11/00
02A	TWO HOLES NOW 2.50 ECO.50-0393	TS				10-11-99
01A	PINS NOW SMD. NEW CMPNL FILE	TS				19-05-99
REV/ISS	AMENDMENTS	DRAWN	CHKD	D.O.	APVD	DATE

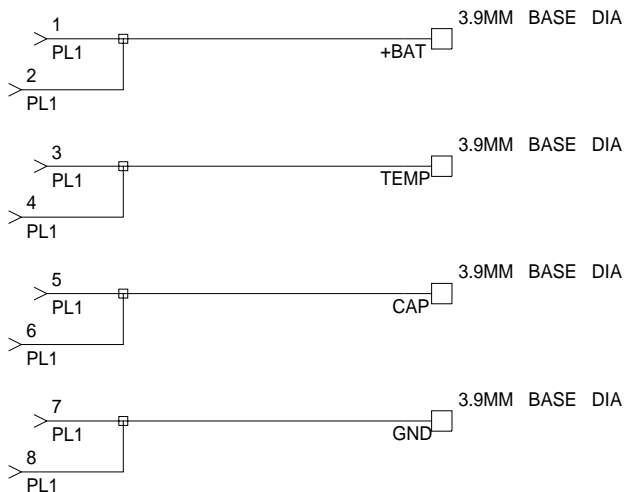
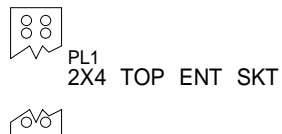
© TAIT ELECTRONICS
 TAIT ORCA SERIES
 CAR KIT ACCESSORY PROBE PCB

IPN:	ISSUE:	ID:
220-01506-03	A	2.SC. 1
PROJECT: TOVK	DESIGNER: TS	FILE NAME: 150603a
		FILE DATE: 1-Nov-00
		NO.SHEETS: 1



TAIT ELECTRONICS	IPN:	ISS:	ID:	DATE:
	220-0564-04	04	1.TA	14 Oct 1998
OCK BATPROBE PCB LAYOUT - TOP SIDE				

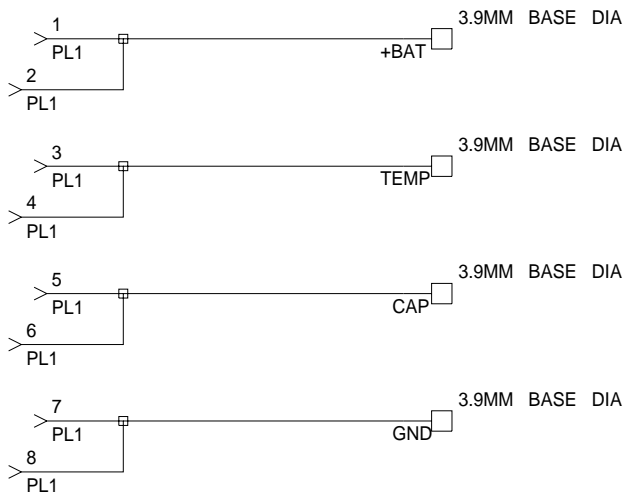
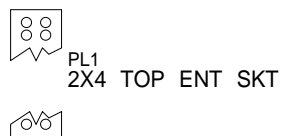
Scale:2.9:1 ; Rotation: 0 degrees



© TAIT ELECTRONICS				
TAIT ORCA SERIES CAR KIT PROBE PCB				
IPN:	ISSUE:	ID:		
220-01564-00A		2.SC.	1	
PROJECT:	DESIGNER:	FILE NAME:	FILE DATE:	NO.SHEETS:
ORCA	TS	156400A	16-10-98	1

REV/ISS	AMENDMENTS			DRAWN	CHKD	D.O.	APVD	DATE
---------	------------	--	--	-------	------	------	------	------

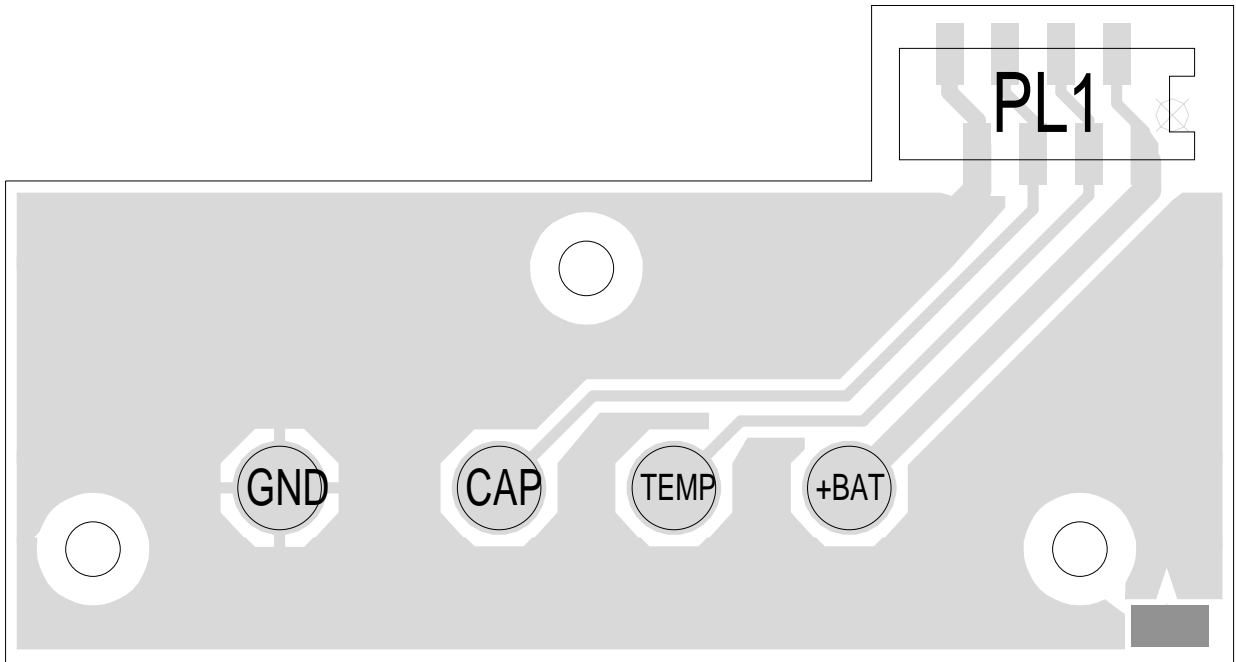
A B C D E F G H J K



© TAIT ELECTRONICS				
TAIT ORCA SERIES CAR KIT PROBE PCB				
IPN: 220-01564-00A	ISSUE: 2.SC. 1			
PROJECT: ORCA	DESIGNER: TS	FILE NAME: 156400A	FILE DATE: 16-10-98	NO.SHEETS: 1

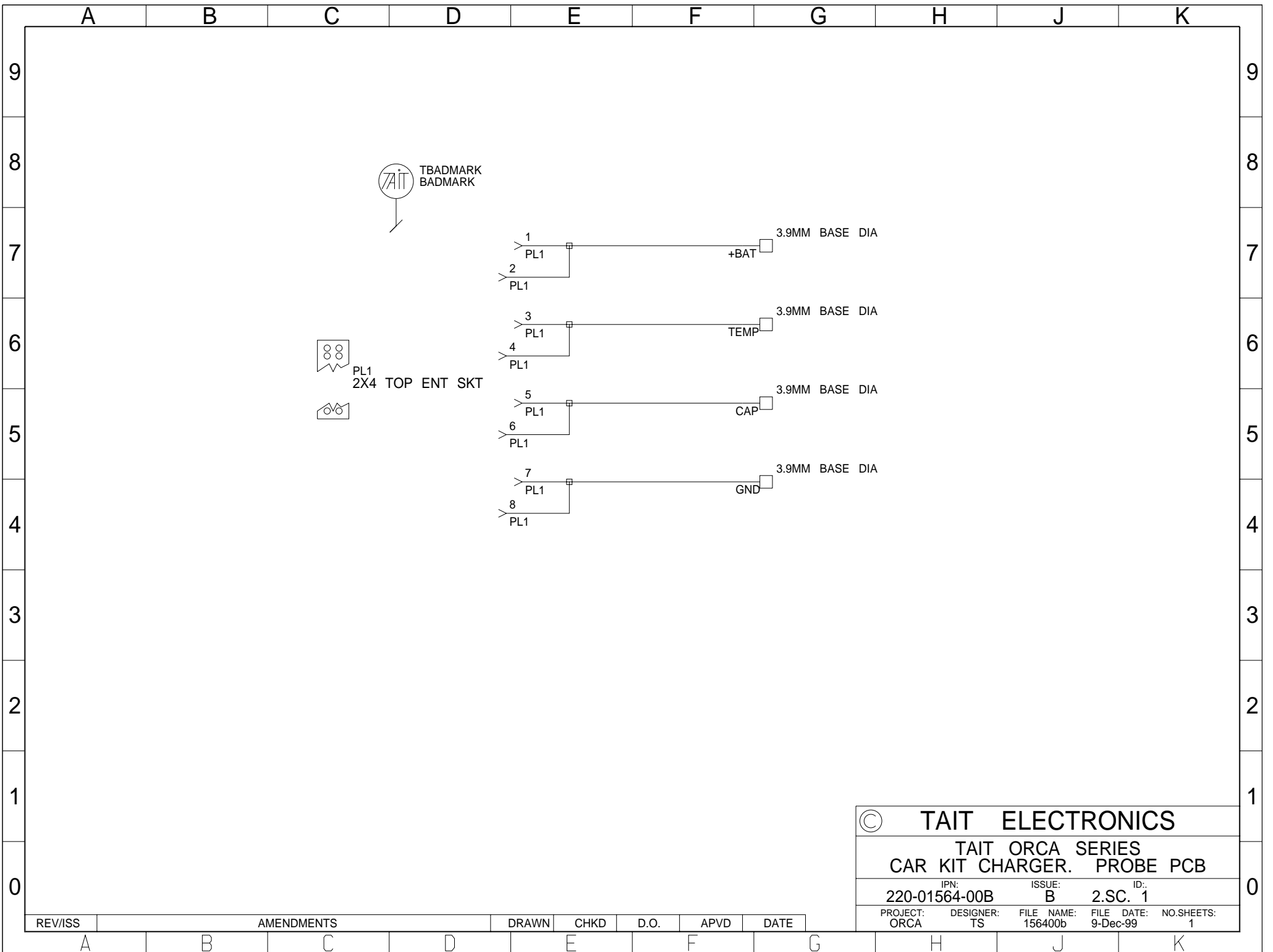
REV/ISS	AMENDMENTS	DRAWN	CHKD	D.O.	APVD	DATE
---------	------------	-------	------	------	------	------

A B C D E F G H J K



TAIT ELECTRONICS	IPN:	ISS:	ID:	DATE:
	220-0564-04	04	1.TA	14 Oct 1998
OCK BATPROBE PCB LAYOUT - TOP SIDE				

Scale:2.9:1 ; Rotation: 0 degrees



© TAIT ELECTRONICS

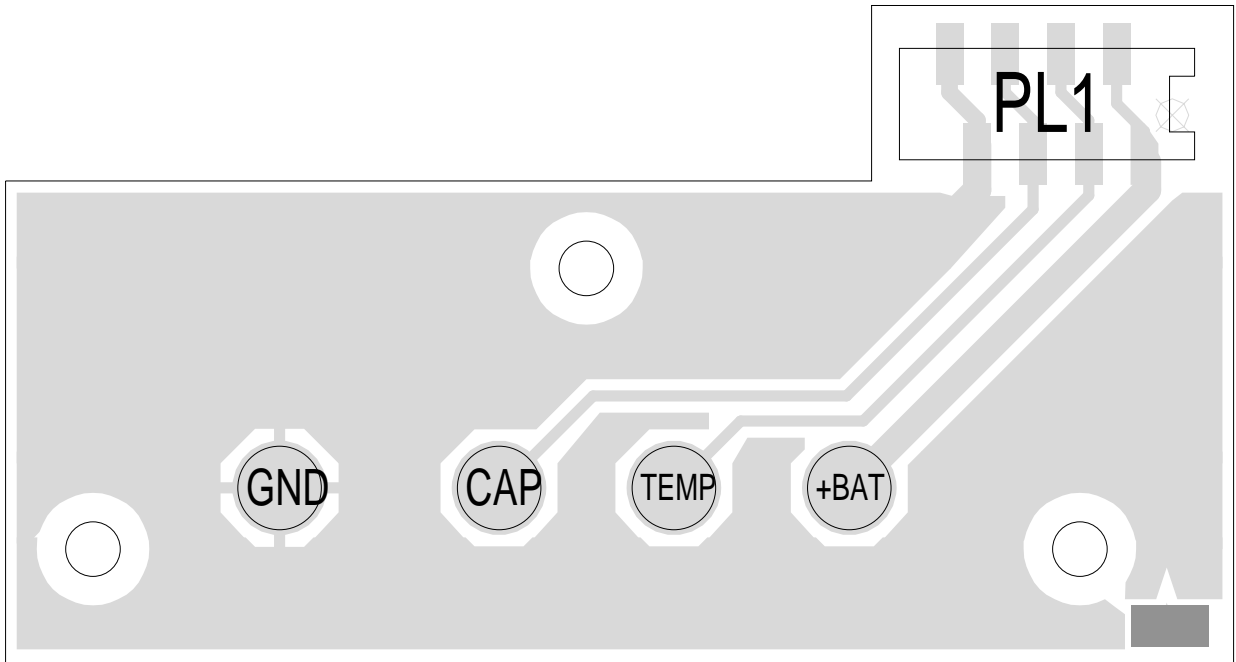
TAIT ORCA SERIES
CAR KIT CHARGER. PROBE PCB

IPN: 220-01564-00B ISSUE: B ID.: 2.SC. 1

PROJECT: ORCA DESIGNER: TS FILE NAME: 156400b FILE DATE: 9-Dec-99 NO.SHEETS: 1

REV/ISS	AMENDMENTS			DRAWN	CHKD	D.O.	APVD	DATE
---------	------------	--	--	-------	------	------	------	------

A B C D E F G H J K



TAIT ELECTRONICS	IPN:	ISS:	ID:	DATE:
	220-0564-04	04	1.TA	14 Oct 1998
OCK BATPROBE PCB LAYOUT - TOP SIDE				